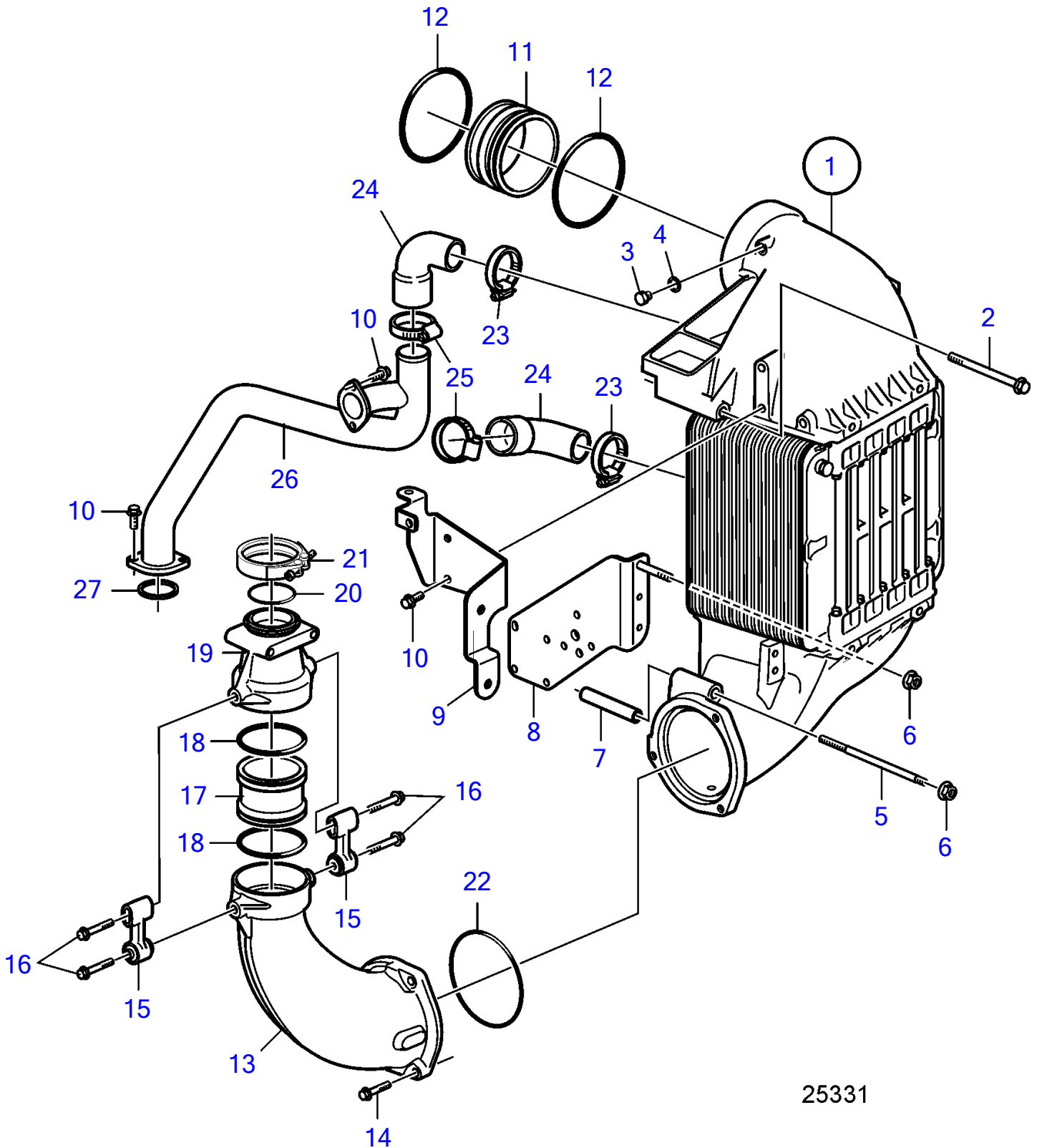


D13B-A MP, D13B-C MP, D13B-G MP, D13B-H MP



D13B-A MP, D13B-C MP, D13B-G MP, D13B-H MP

REF	PART NO.	QTY	DESCRIPTION	SEE SEC.	NOTES
1	3889640	1	Intercooler		
			.	36752	
2	973096	4	Flange screw		
3	960628	1	Plug		
4	947281	1	Gasket		
5	969199	1	Stud		
6	971095	2	Flange nut		
7	994003	1	Spacer sleeve		
8	3875281	1	Bracket		
9		1	Bracket		
10	946173	7	Flange screw		
11	3808387	1	Connector		
12	3812484	2	O-ring		
13	21181180	1	Charge air pipe		For D13B-A MP, D13B-H MP
	21321079	1	Charge air pipe		For D13B-C MP, D13B-G MP
14	947760	3	Flange screw		
15	3594032	2	Link arm		
16	973924	4	Flange screw		
17	1661276	1	Intermediate pipe		
18	3825197	2	Sealing ring		
19	3847714	1	Connection pipe		
20	21096684	1	Sealing ring		
21	20592787	1	V-band clamp		
22	948888	1	O-ring		
23	961669	3	Hose clamp		
24	3593877	2	Hose		
25	961670	3	Hose clamp		
26	3593831	1	Water pipe		
27	864491	1	Gasket		