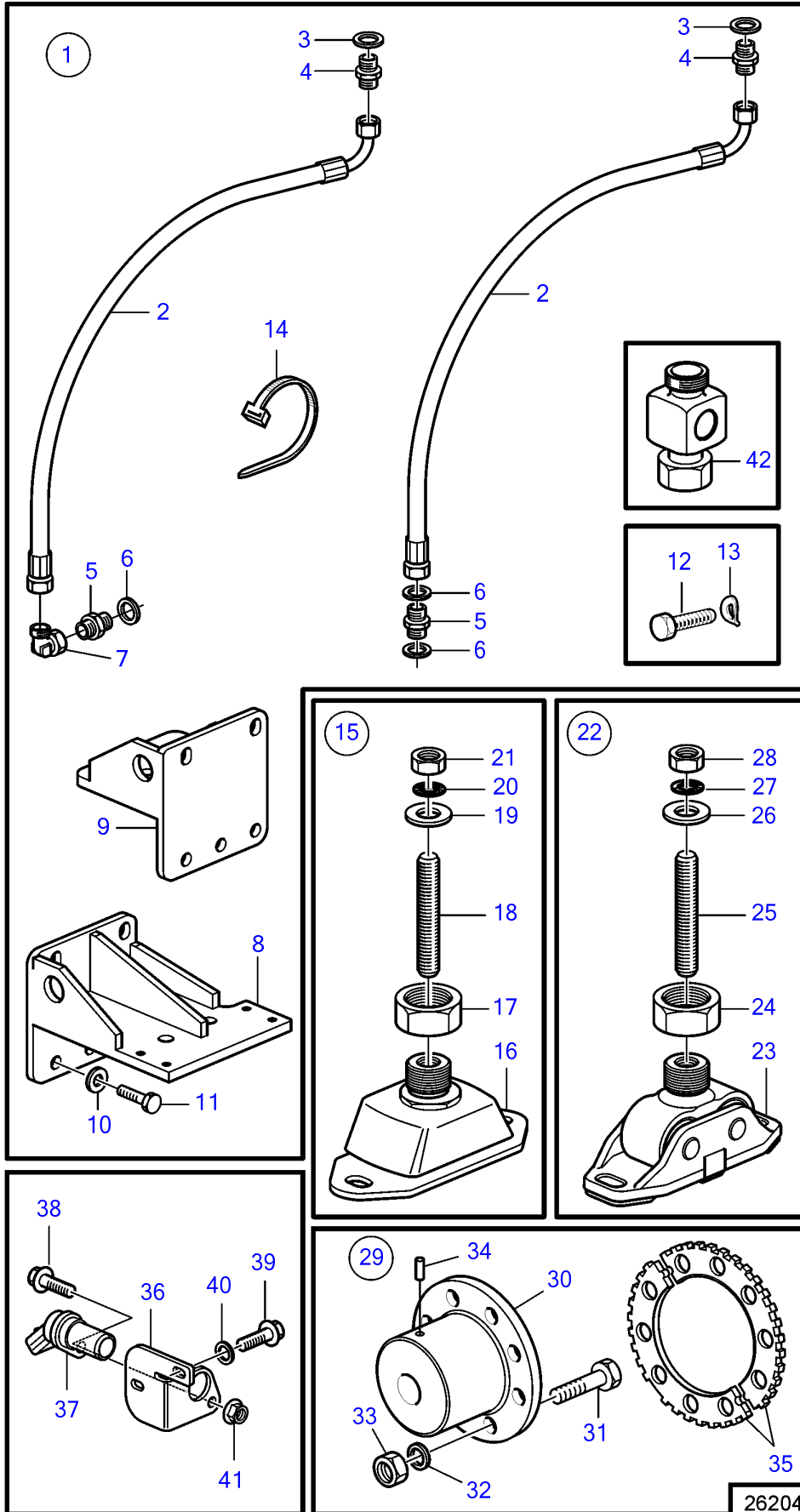


D13B-E MH



26204

D13B-E MH

REF	PART NO.	QTY	DESCRIPTION	NOTES
1		1	Kit	
2	21322361	2	• Oil hose	
3	976932	2	• Gasket	
4	943986	2	• Nipple	
5	994328	2	• Nipple	
6	947629	3	• Gasket	
7	946369	1	• Elbow nipple	
8	863967	1	• Bracket	Starboard
9	863966	1	• Bracket	Port
10	941912	10	• Spring washer	
11	955363	10	• Hexagon screw	
12	965185	12	• Flange screw, reverse gear	
	965226	8	• Flange screw, coupling	
13	941908	10	• Spring washer	
	940280	8	• Spring washer	
14	1075407	X	• Cable tie	
15	21593939	2	Rubber cushion kit	
16	(21586050)	1	• Rubber cushion	Obsolete part
17	3839409	1	• Nut	
18		1	• Adjusting screw	
19	120224	1	• Washer	
20	847766	1	• Lock washer	
21	955786	1	• Hexagon nut	
22	3843493	2	Rubber cushion kit	
23		1	• Bracket	
24	3840980	1	• Nut	
25	3817323	1	• Adjusting screw	
26	991994	1	• Washer	
27	990697	1	• Lock washer	
28	955786	1	• Hexagon nut	
29		2	Clutch flange	
30	844765	1	• Clutch flange	
31	955764	8	• Hexagon screw	
32	(941915)	8	• Spring washer	Obsolete part
33	950380	8	• Lock nut	
34		2	• Taper pin	
35	3819856	2	Sprocket wheel	
36	3840435	1	Bracket	
37	20513343	1	Sensor	
38	946544	1	Flange screw	
39	967949	2	Flange screw	
40	949607	2	Spring washer	
41	949278	1	Flange lock nut	
42	21430896	1	Connecting block	