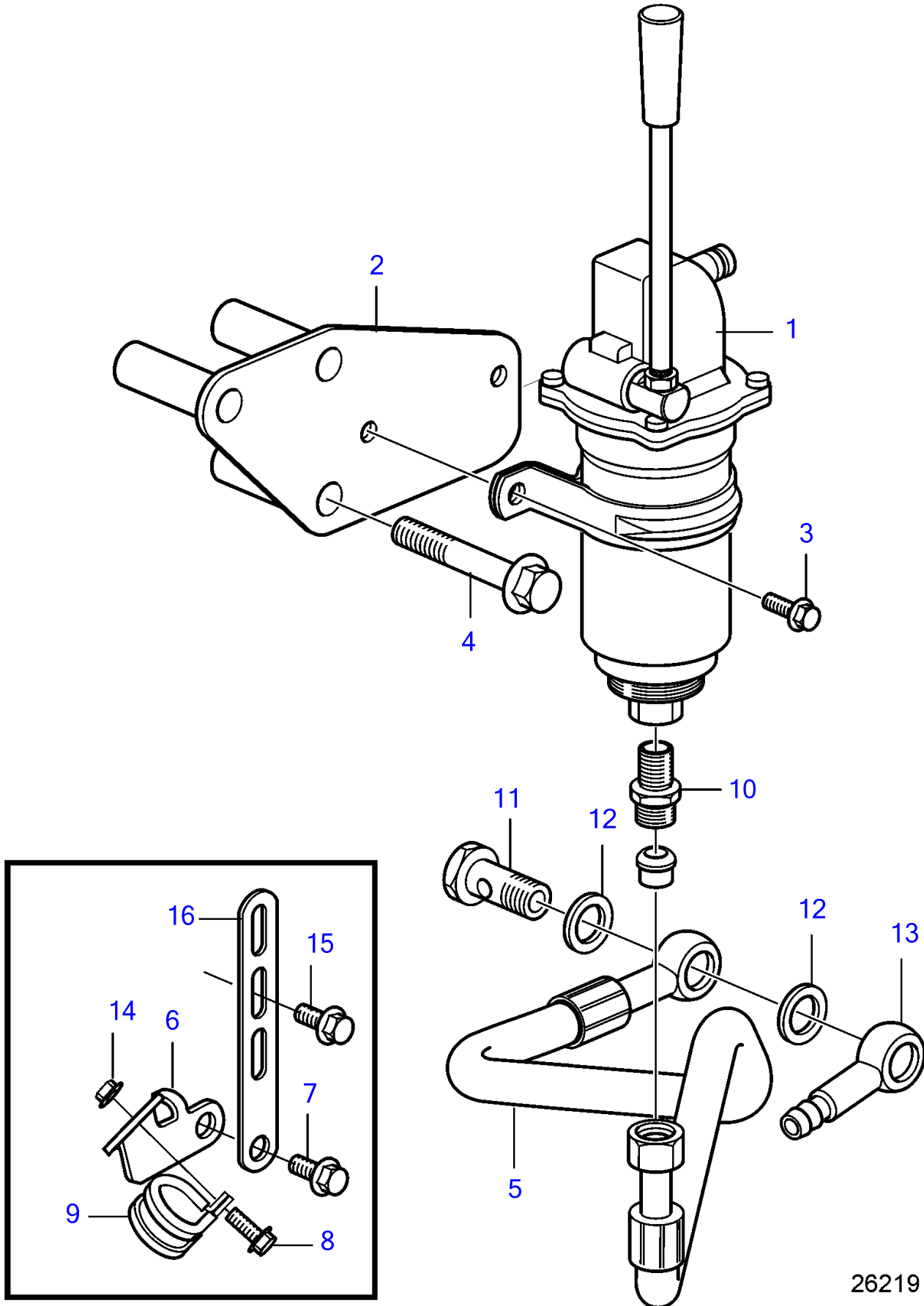


D13B-E MH



26219

D13B-E MH

REF	PART NO.	QTY	DESCRIPTION	NOTES
1	3827475	1	Oil drain pump	
2	3595052	1	Bracket	
3	946173	2	Flange screw	
4	975127	3	Flange screw	
5	21879669	1	Hose	
6	3595053	1	Bracket	
7	946440	1	Flange screw	
8	946173	1	Flange screw	
9	949379	1	Clamp	
10	944177	1	Nipple	
11	966821	1	Hollow screw	
12	18813	2	Gasket	
13	(992357)	1	Banjo nipple	Obsolete part
14	945408	1	Flange nut	
15	947107	2	Flange screw	
16	965543	1	Bracket	