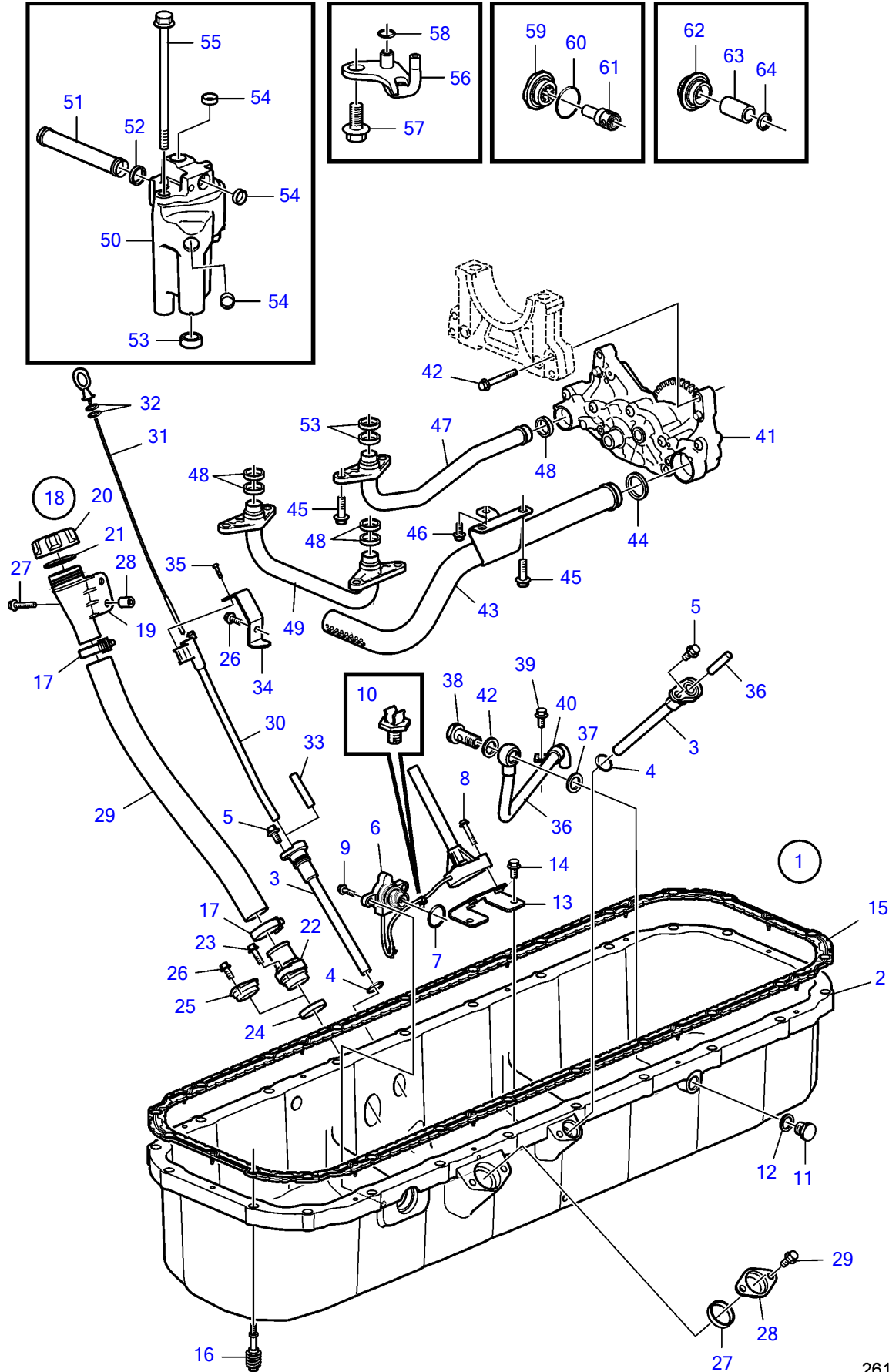


D13B-E MH



D13B-E MH

REF	PART NO.	QTY	DESCRIPTION	NOTES
1	3593504	1	Oil pan	
2		1	• Oil pan	
3	21523327	1	• Pipe	
4	949656	2	• • O-ring	
5	966378	1	• Flange screw	
6	21521353	1	• Oil level sensor	
7	990719	1	• • O-ring	
8	948356	3	• Flange screw	
9	946934	2	• Flange screw	
10	20700754	2	• Retainer	
11	982293	1	• Plug	
12	976931	1	• Gasket	
13	21104728	1	• Bracket	
14	946440	3	• Flange screw	
15	21293367	1	Sealing strip	
16	20739547	22	Flange screw	
17	961669	4	Hose clamp	
18	20808091	1	Oil filler pipe	
19	(20486943)	1	• Oil filler pipe	Obsolete part
20	20807510	1	• Oil filler cap	
21	20365079	1	• • Gasket	
22	20462497	2	Connection pipe	
23	946173	4	Flange screw	
24	20555696	2	Sealing ring	
25	3964803	2	Plug	
26	946440	7	Flange screw	
27	948217	2	Flange screw	
28	852660	2	Spacer sleeve	
29	21364974	1	Hose	
30	21173620	1	Pipe	
31	3889663	1	Oil dipstick	
32	949187	2	• O-ring	
33	20533484	2	Plug	
34	21176233	1	Bracket	
35	975371	2	6 point socket screw	
36	3889666	1	Oil scavenging pipe	
37	976931	2	Gasket	
38	190714	1	Hollow screw	
39	946440	1	Flange screw	
40	(190229)	1	Clamp	Obsolete part
41	20824906	1	Oil pump	
42	965180	4	Flange screw	
43	3889667	1	Oil strainer	
44	20451487	1	Sealing ring	
45	946472	3	Flange screw	
46	946440	1	Flange screw	
47	20501240	1	Pressure pipe	
48	21092243	7	Sealing ring	
49	20498189	1	Pressure pipe	
50	21105100	1	Intermediate housing	
51	20591851	1	Outlet pipe	
52	1677370	1	Sealing ring	
53	20526428	1	Sealing ring	
54	955082	3	Cap plug	
55	969225	2	Flange screw	
56	3155151	6	Piston cooling jet	
57	966378	6	Flange screw	
58	955982	1	O-ring	
59	1547934	1	Cover	
60	948610	1	O-ring	
61	471707	1	Reduction valve	
62		1	Cover	
63		1	Plug	

47702050-22-37050

26117

Upd:2012-02-21

D13B-E MH

VOLVO
PENTA

D13B-E MH

REF	PART NO.	QTY	DESCRIPTION	NOTES
64	469846	1	Sealing ring	

47702050-22-37050

26117

Upd:2012-02-21

D13B-E MH