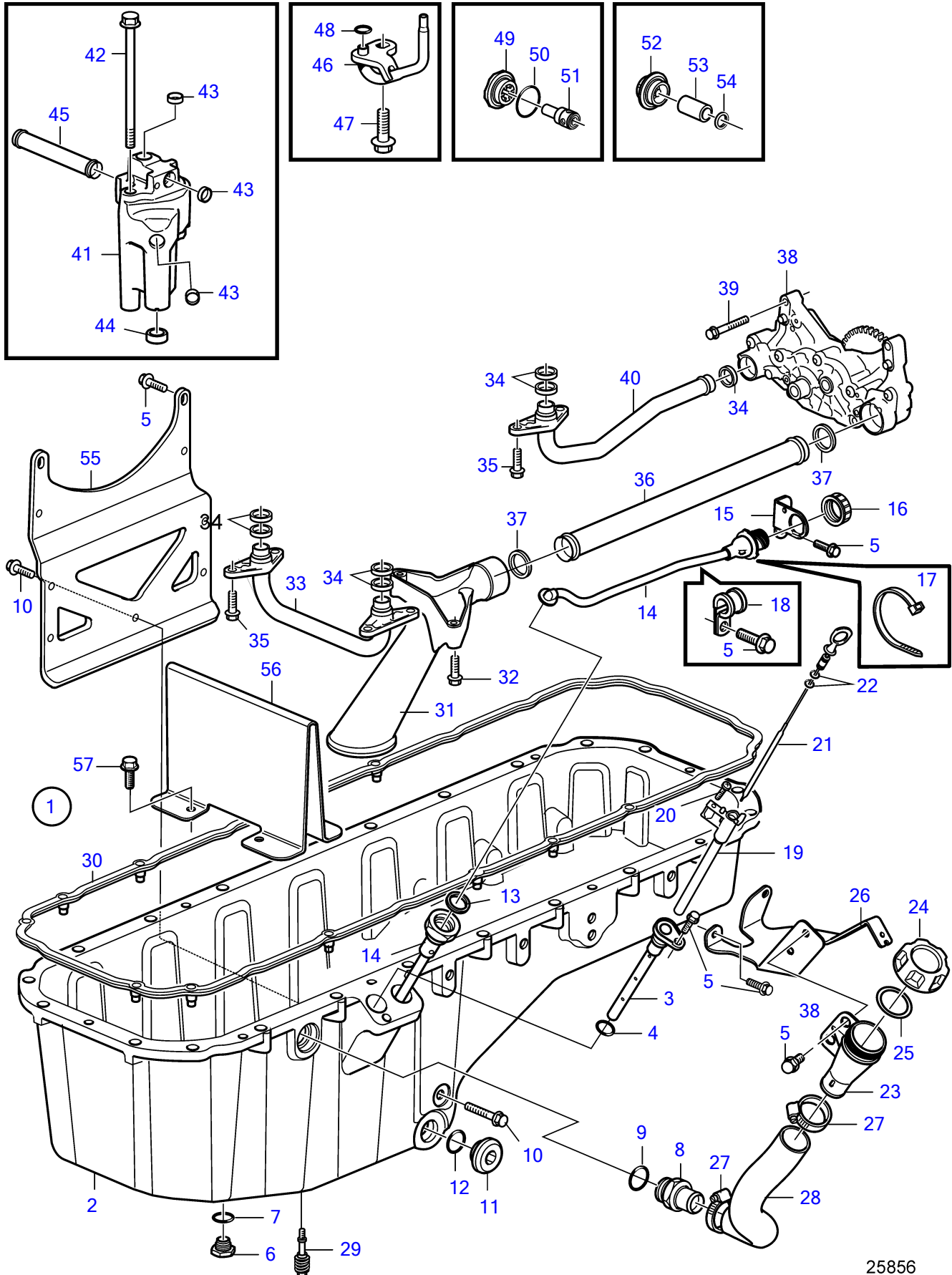


D13B-E MH



25856

Upd:2012-02-21

25856

47702050-22-36844

D13B-E MH

REF	PART NO.	QTY	DESCRIPTION
1	21668618	1	Oil pan
2		1	• Oil pan
3	21523327	1	• Pipe
4	949656	1	• • O-ring
5	946440	11	• Flange screw
6	20571854	1	• Magnetic plug
7	20579690	1	• Gasket
8	11162582	1	• Nipple
9	982509	1	• Gasket
10	965221	2	Flange screw
11	11127354	1	Plug
12	948610	1	O-ring
13	18813	1	Gasket
14	11423761	1	Oil level sensor
15	3988328	1	Bracket
16	3963413	1	Ring
17	948211	1	Cable tie
18	949746	2	Clamp
19	3883614	1	Pipe
20	975371	1	6 point socket screw
21	21598748	1	Dipstick
22	949187	2	• O-ring
23	20808091	1	Oil filler pipe
24	20807510	1	• Oil filler cap
25	20365079	1	• • Gasket
26	21549291	1	Bracket
27	961670	2	Hose clamp
28	21549296	1	Hose
29	20739547	16	Flange screw
30	21293367	1	Sealing strip
31	15032706	1	Oil strainer
32	977275	3	Flange screw
33	20498189	1	Pressure pipe
34	21092243	7	Sealing ring
35	946472	6	Flange screw
36	20509415	1	Suction pipe
37	20451487	2	Sealing ring
38	20824906	1	Oil pump
39	965180	4	Flange screw
40	21524766	1	Pressure pipe
41	21105100	1	Intermediate housing
42	968553	2	Flange screw
43	955082	3	Cap plug
44	20526428	1	Sealing ring
45	20591851	1	Outlet pipe
46	3155151	6	Piston cooling jet
47	966378	6	Flange screw
48	955982	6	O-ring
49		1	Cardboard tube
50	948610	1	O-ring
51	471707	1	Reduction valve
52		1	Cardboard tube
53		1	Plug
54	469846	1	Sealing ring
55	21540770	1	Bracket
56	21305840	1	Splash bulkhead
57	966378	4	Flange screw