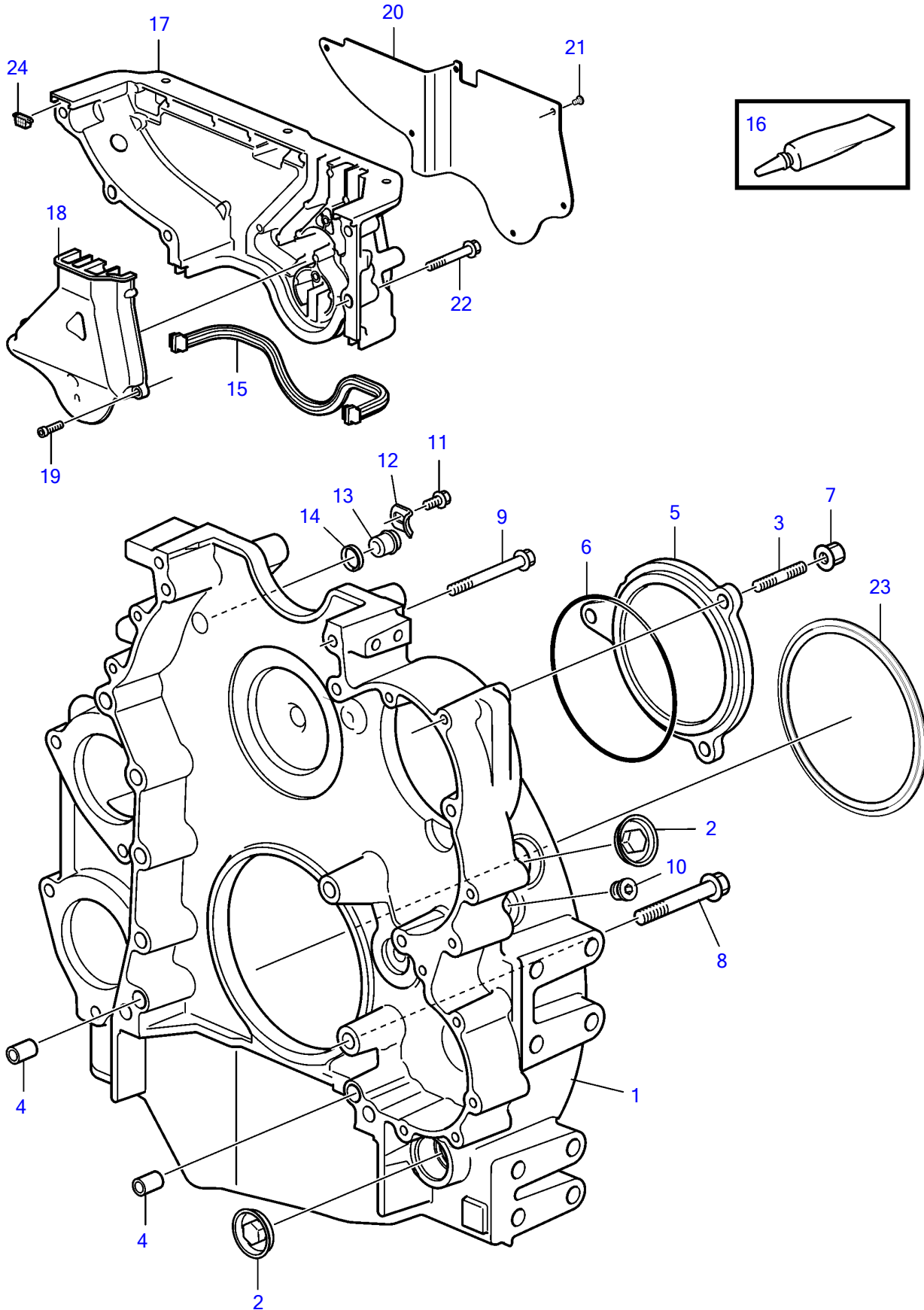


D13B-E MH



D13B-E MH

REF	PART NO.	QTY	DESCRIPTION	NOTES
1	21583903	1	Flywheel housing	
2	467367	2	• Plug	(467649)
3	924098	3	• Stud	
4	(1547940)	2	• Pivot pin	Obsolete part
5	3887047	1	Cover	
6	992065	1	O-ring	
7	979230	3	Flange nut	
8	966367	9	Flange screw	
9	965190	4	Flange screw	
10	(966144)	1	Plug	Obsolete part
11	946440	1	Flange screw	
12	20844430	1	Lock brace	
13		1	Plug	
14	1547255	1	Sealing ring	
15	20817742	1	Gasket	
16	1161277	X	Sealant	20g
	1161231	X	Sealant	304ml
17	21383314	1	Timing gear cover	
18		1	• Oil separator	
19	940326	4	• Hex. socket screw	
20		1	• Sound insulation	
21		5	• Rivet	
22	973924	5	Flange screw	
23	85108352	1	Crankshaft seal	
24	20572441	2	Gasket	