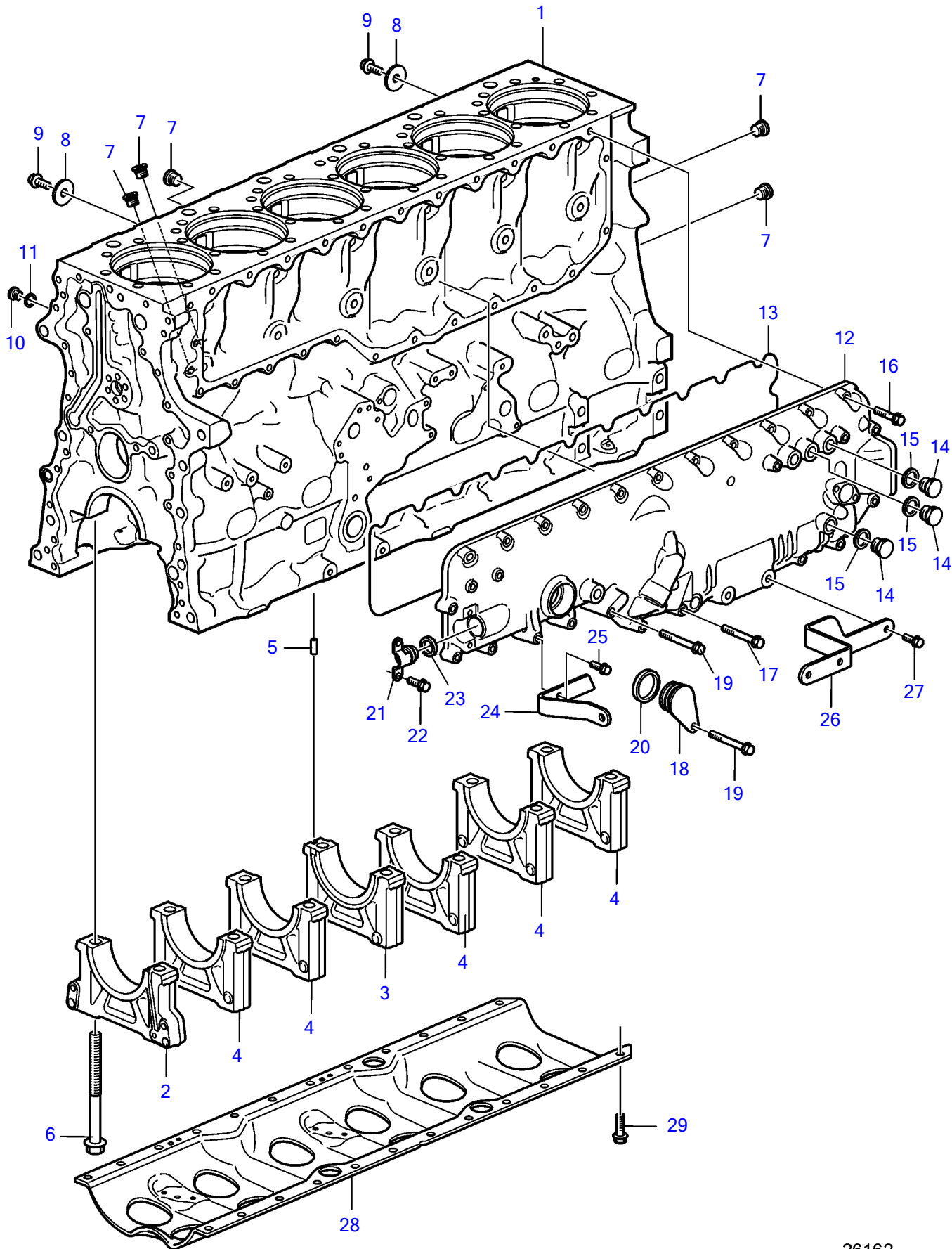


D13B-E MH



D13B-E MH

REF	PART NO.	QTY	DESCRIPTION	NOTES
1	21048297	1	Cylinder block	
2		1	• Main bearing cap	
3		1	• Main bearing cap	
4		5	• Main bearing cap	
5	422426	1	• Pivot pin	
6	21345129	14	• Screw	
7	984793	5	• Plug	
8	947541	2	• Washer	
9	946441	2	• Flange screw	
10	966142	1	Plug	
11	11994	1	Gasket	
12	21677248	1	Cover	
13	20979871	1	• Sealing	
14	960632	3	• Plug	
15	21024032	3	• Sealing ring	
16	948217	14	Flange screw	L=45mm
17	965181	7	Flange screw	L=70mm
18	21162206	1	Plug	
19	965182	2	Flange screw	
20	1547253	1	Sealing ring	
21	21046528	1	Clamp	
22	946440	2	Flange screw	
23	1547252	1	Sealing ring	
24	21385677	1	Bracket	
25	965181	1	Flange screw	
26	21385680	1	Bracket	
27	965183	2	Flange screw	
28	20499612	1	Frame	
29	946472	24	Flange screw	