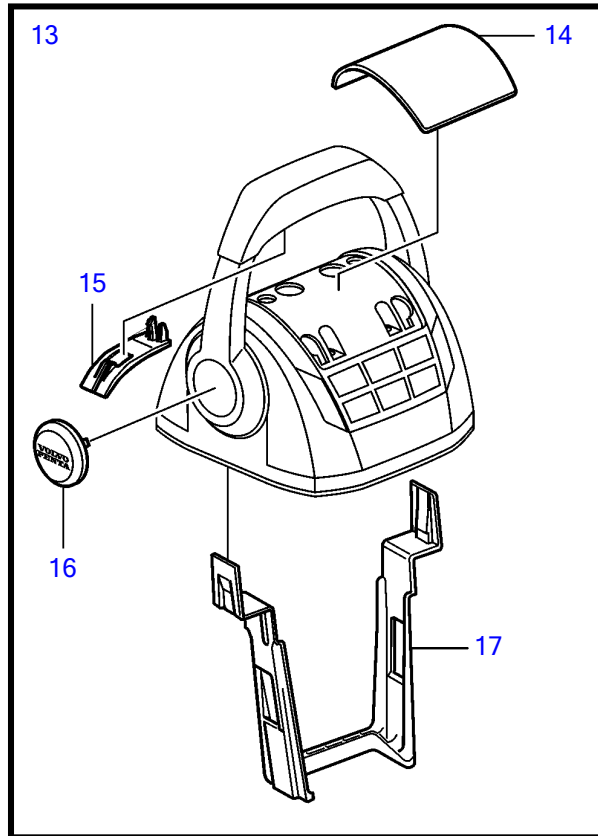
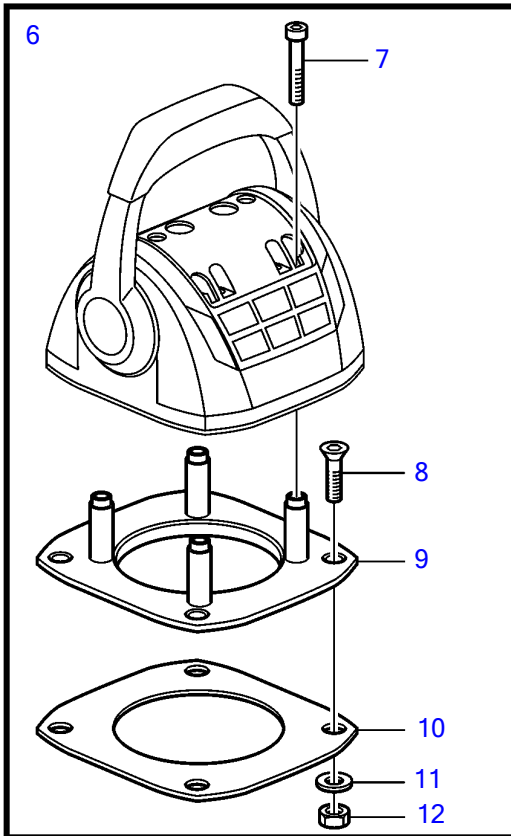
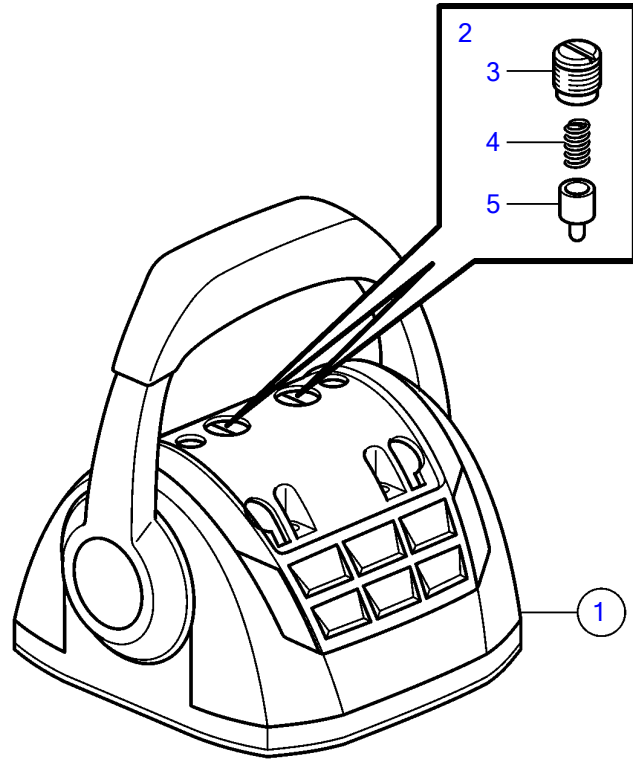


D13B-E MH



## D13B-E MH

REF	PART NO.	QTY	DESCRIPTION	NOTES
1	21275312	1	Control lever	
	3586259	1	Software	Vodia-programming. This p/n can not be ordered, but will be used for invoicing.
	3586261	1	Software	Warehouse programming. This p/n can not be ordered, but will be used for invoicing.
2	21526920	1	• Spare parts kit, position sensor	
3		1	• • Tensioner	M14
4		1	• • Spring	
5		1	• • Pin	
6	21526948	1	• Kit, mounting bracket	
7	995042	4	• • Hex. socket screw	
8	994821	4	• • Hex. socket screw	
9	(21461704)	1	• • Bracket	Obsolete part
10		1	• • Gasket	
11	940275	4	• • Washer	
12	984456	4	• • Lock nut	
13	21527169	1	• Kit, plastic parts	
14	(21461681)	1	• • Cover	Obsolete part
15		2	• • Handle	
16		2	• • Hub cap	
17	21461675	1	Cable holder	