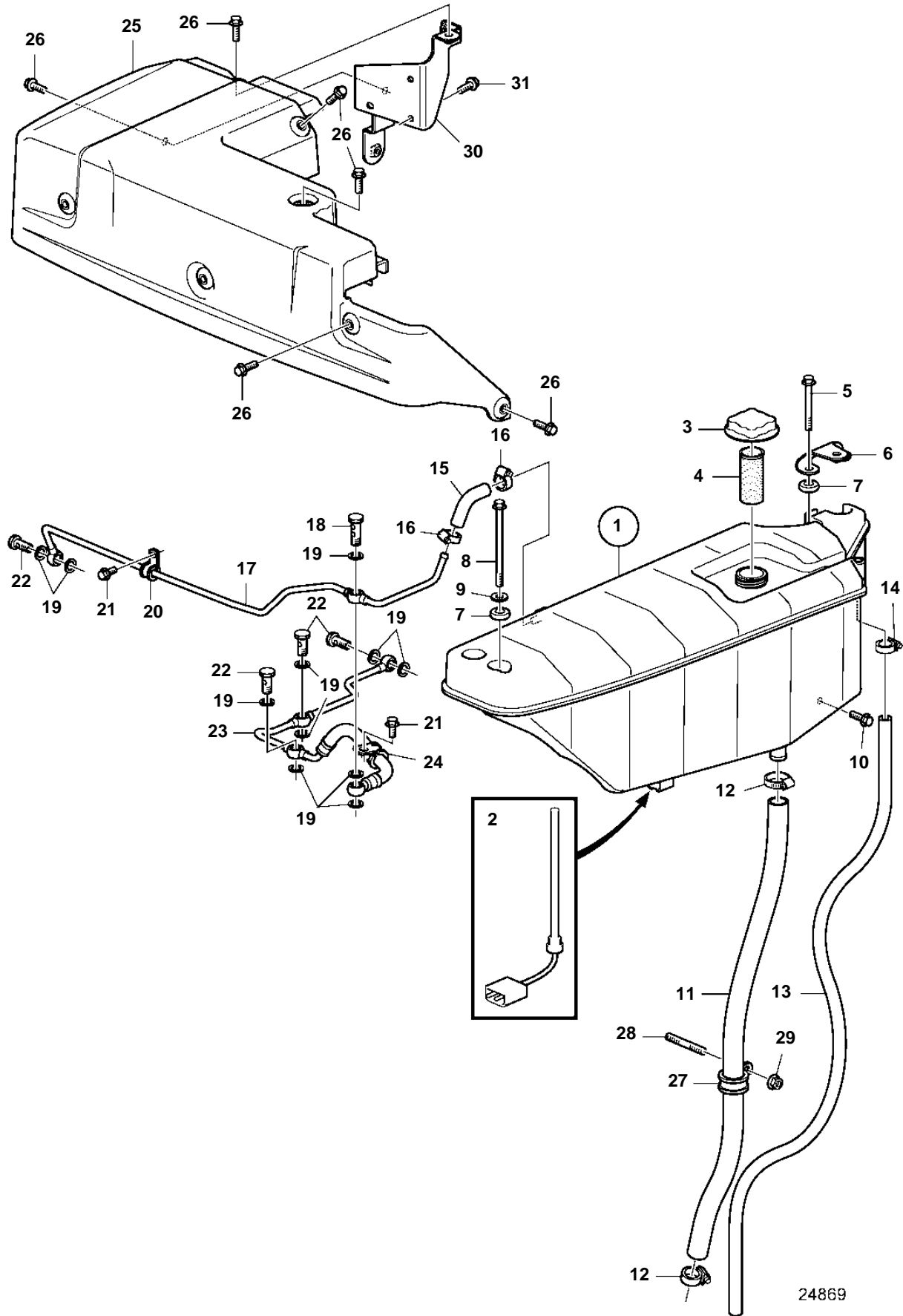


D13B-A MP



D13B-A MP

REF	PART NO.	QTY	DESCRIPTION	NOTES
1	3885197	1	Expansion tank	
2	3588990	1	• Level sensor	
3	1674083	1	• Pressure cap	
4	21366063	1	Pipe	
5	965181	2	Flange screw	
6		1	Bracket	
7	3285120	4	Grommet	
8	969225	2	Flange screw	
9	976944	2	Washer	
10	946173	1	Flange screw	
11	943369	X	Rubber hose	L=810mm
12	961666	2	Hose clamp	
13	943367	X	Rubber hose	L=11000mm
14	961663	1	Hose clamp	
15	943367	X	Rubber hose	L=80mm
16	961663	2	Hose clamp	
17	21139817	1	Air vent pipe	
18	947975	1	Hollow screw	
19	11994	11	Gasket	
20	942400	1	Clamp	
21	946440	2	Flange screw	
22	969299	4	Hollow screw	
23	21139808	1	Air vent pipe	
24	949747	1	Clamp	
25	21166028	1	Cover	
26	945444	7	Flange screw	
27	943717	1	Clamp	
28	981440	1	Stud	
29	945408	1	Flange nut	
30	21163942	1	Bracket	
31	946173	3	Flange screw	