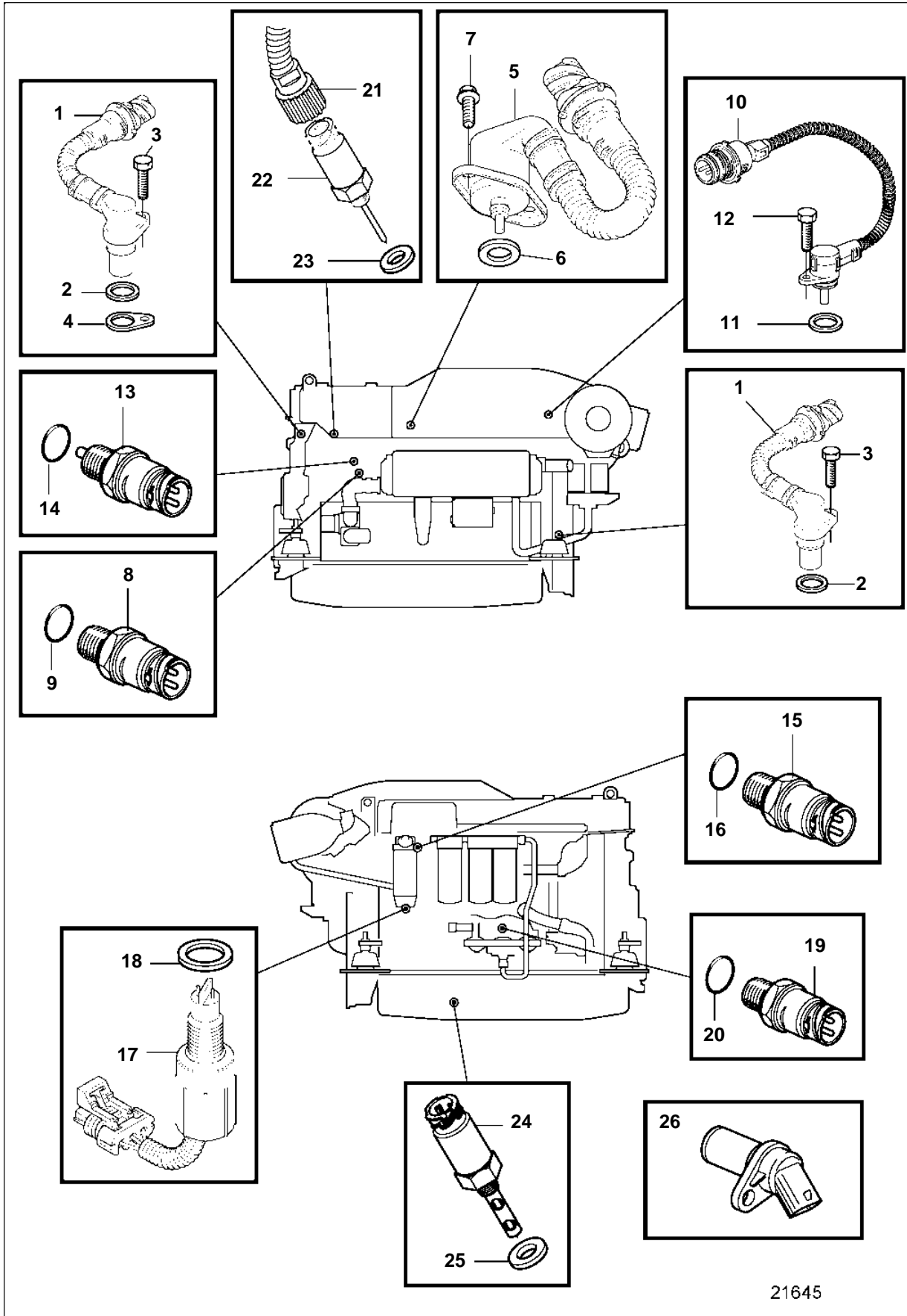


D12D-B MP, D12D-D MP



21645

**D12D-B MP, D12D-D MP**

REF	PART NO.	QTY	DESCRIPTION	NOTES
1	3172774	1	Tachometer sensor, camshaft/flywheel	
2	974673	1	O-ring	
3	940326	1	Hex. socket screw	
4	1677894	1	Shim	TH=0,6mm
5	20909613	1	Sensor, charge air pressure/temp	(3172524)
6	975632	1	· O-ring	
7	946544	2	Flange screw	
8	20796744	1	Pressure sensor, crankcase pressure	0,4-1,4bar, (20499340)
9	968559	1	· O-ring	
10	20576626	1	Sensor, coolant water	
11	949656	1	· O-ring	
12	946440	1	Flange screw	
13	1077574	1	Sensor, oil pressure/temperature	
14	968559	1	· O-ring	
15	20886108	1	Pressure sensor, fuel	(20484678), Replaced by 20898038
	21302639	1	Pressure sensor, fuel	
16	968559	1	· O-ring	
17	3588916	1	Alarm kit, water in fuel filter	(874109)
18	3831094	1	O-ring	
19	874673	1	Pressure switch, piston cooling	Replaced by 21202753.
	21202753	1	Pressure switch	
20	968559	1	O-ring	
21	3808721	1	Cable kit	
22	874327	1	Level guard	
23	948884	1	Gasket	
24	874328	1	Level guard	
25	11998	1	Gasket	
26	20513343	1	Sensor, reverse gear	