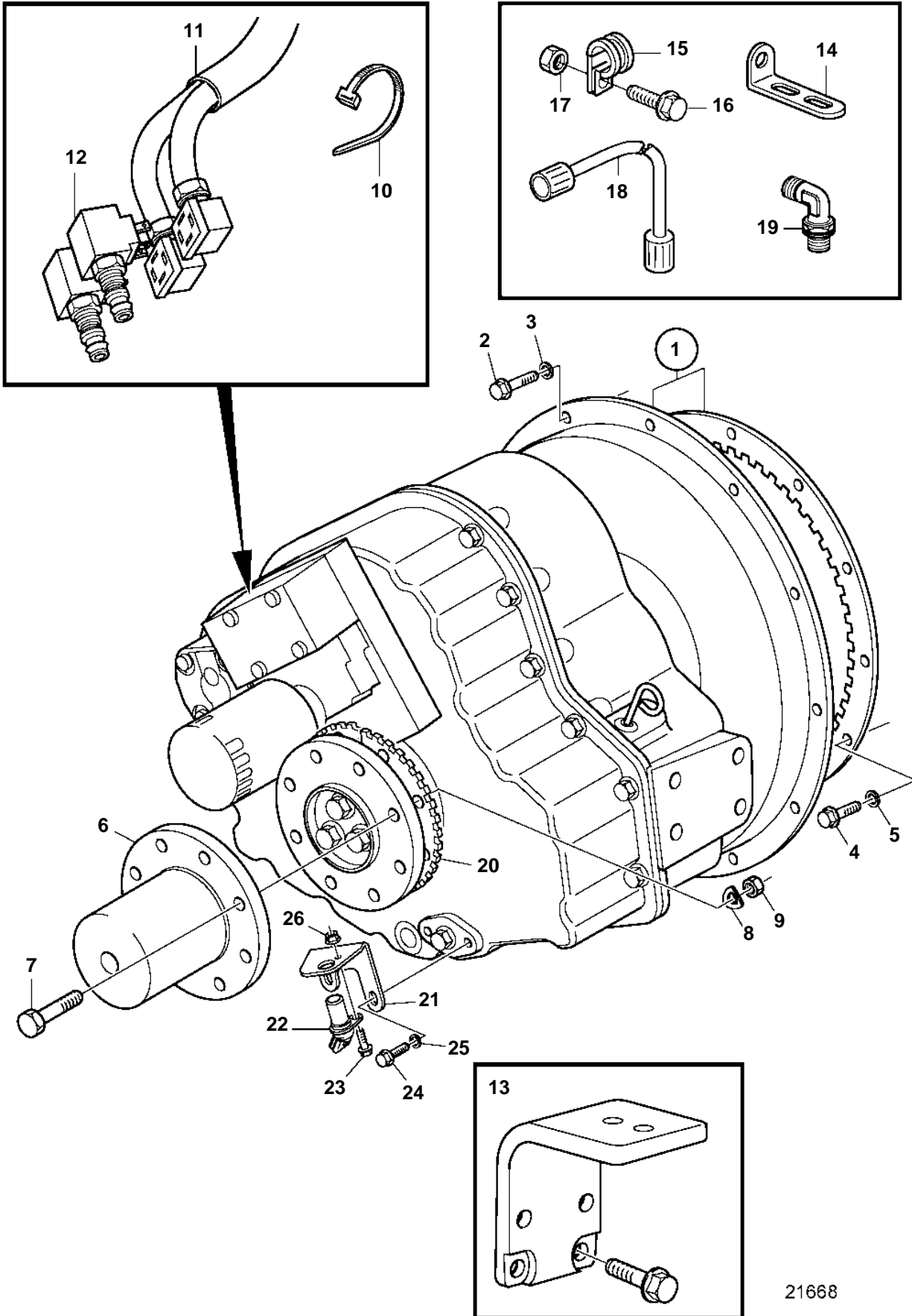


D12D-A MP, D12D-B MP, D12D-D MP



21668

D12D-A MP, D12D-B MP, D12D-D MP

REF	PART NO.	QTY	DESCRIPTION	SEE SEC.	NOTES
1		1	Reversing gear		7° angle down, RATIO 1.50:1
		1	Reversing gear		7° angle down, Ratio 1.76:1
		1	Reversing gear		7° angle down, RATIO 2.03:1
2	946817	8	Flange screw		
3	940280	8	Spring washer		
4	965193	12	Flange screw		
5	940280	12	Spring washer		
6	863994	1	Clutch flange		Pre-drilled 30 mm. Max shaft 80 mm.
7	955739	8	Hexagon screw		
8	941912	8	Spring washer		
9	950378	8	Lock nut		
10	948211	X	Cable tie		
11	3808581	1	Wiring harness		(874619)
12	3826414	2	Solenoid		
14	965553	1	Bracket		
15	945081	2	Clamp		
16	946173	2	Flange screw		
17	945408	1	Flange nut		
18	3837463	1	Hose		
19	11090362	1	Elbow nipple		
20	3841414	1	Sprocket wheel		
21	3840887	1	Bracket		
22		1	Tachometer sensor	6326	