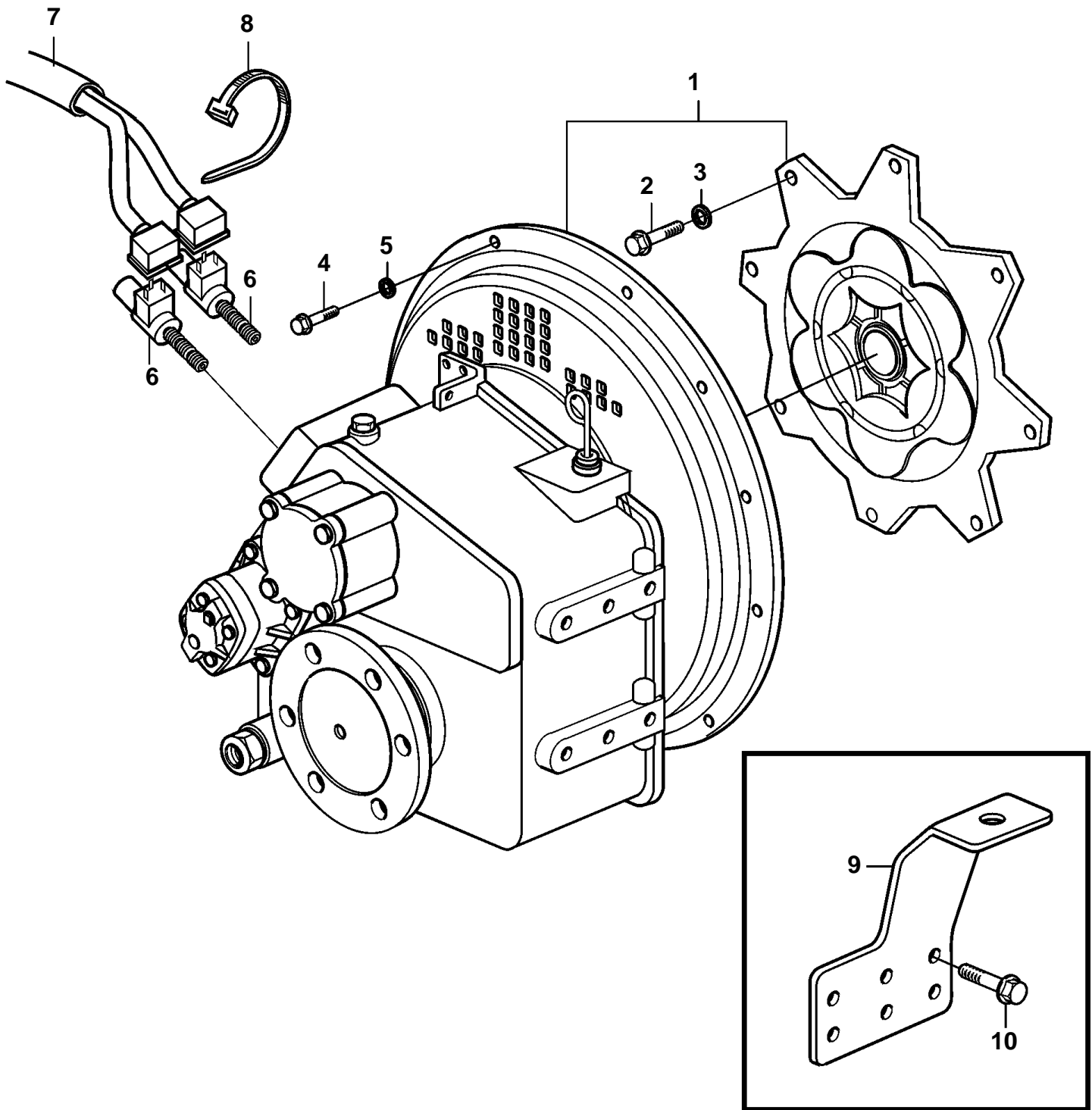


D12D-B MH, D12D-A MP, D12D-B MP



19272

D12D-B MH, D12D-A MP, D12D-B MP

REF	PART NO.	QTY	DESCRIPTION	SEE SEC.	NOTES
1		1	Reversing gear		RATIO 1.16:1
		1	Reversing gear		RATIO 1.73:1
2	965226	8	Flange screw		
3	940280	8	Spring washer		
4	965185	12	Flange screw		
5	941908	12	Spring washer		
6	3831157	2	Solenoid		24V
7	3808581	1	Wiring harness		(874619)
8	948211	X	Cable tie		
9		2	Engine suspension	4273	
10	968435	X	Flange screw		