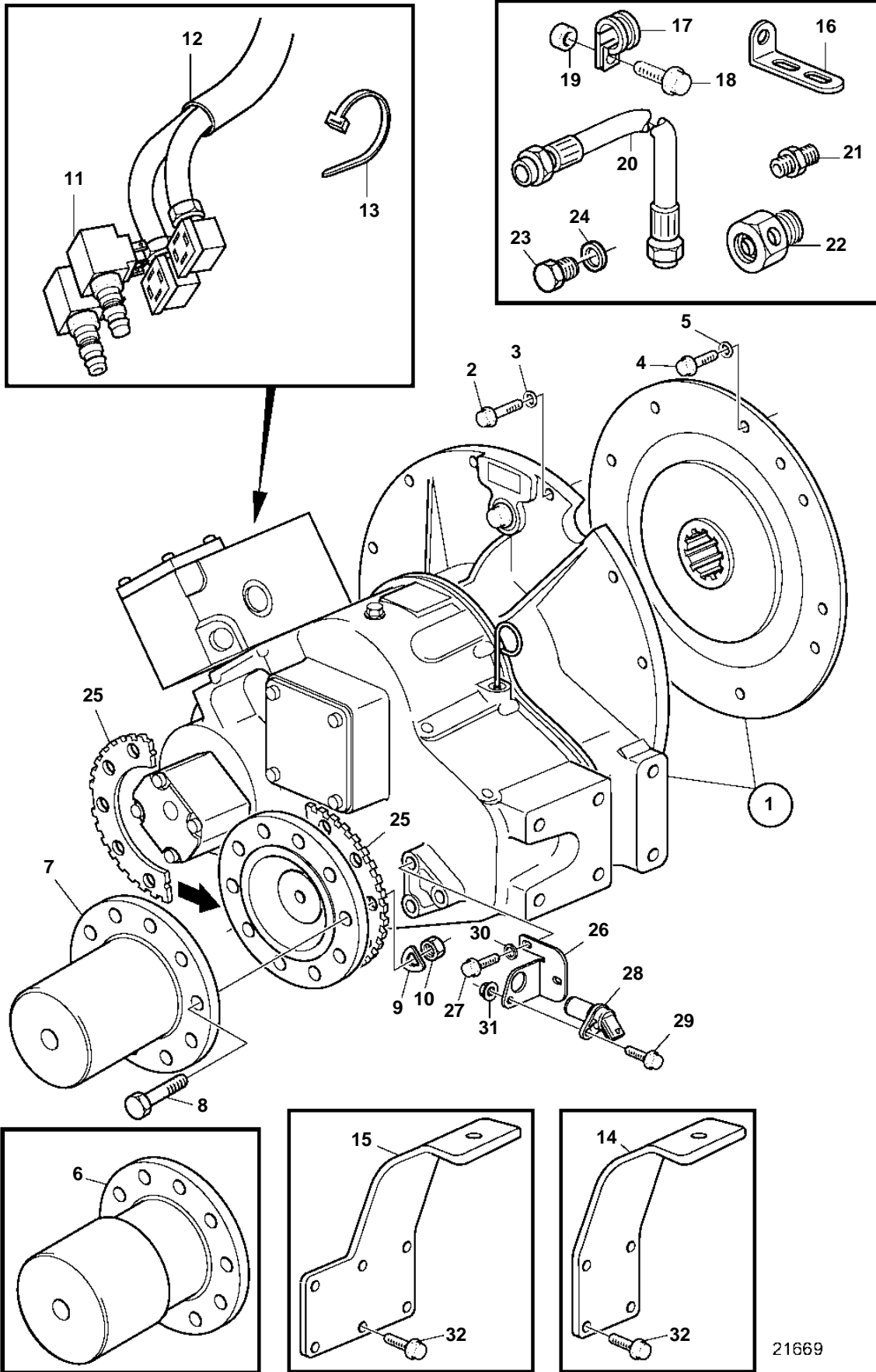


D12D-A MP, D12D-B MP, D12D-C MP, D12D-D MP



21669

D12D-A MP, D12D-B MP, D12D-C MP, D12D-D MP

REF	PART NO.	QTY	DESCRIPTION	SEE SEC.	NOTES
1		1	Reversing gear		7° angle down, RATIO 1.48:1
		1	Reversing gear		7° angle down, RATIO 1.73:1
		1	Reversing gear		7° angle down, RATIO 2.04:1
2	965185	12	Flange screw		
3	941908	12	Spring washer		
4	965194	8	Flange screw		
5	955897	8	Washer		
6		1	Companion flange		Pre-drilled 30 mm. Max shaft 80 mm. 12 holes, Earlier prod.
7	864087	1	Clutch flange		10 holes, LATER PROD
8	955739	12	Hexagon screw		
9	941912	12	Spring washer		
10	950378	12	Lock nut		
11	3831157	2	Solenoid		24V
12	3808581	1	Wiring harness		(874619)
13	948211	X	Cable tie		
14		2	Engine suspension	4273	Earlier prod.
15		2	Engine suspension	4273	LATER PROD
16	965553	1	Bracket		
17	945081	2	Clamp		
18	946173	2	Flange screw		
19	945408	1	Flange nut		
20	3837463	1	Hose		
21	983779	1	Nipple		
22	3837435	1	Elbow nipple		
23	479976	1	Plug		
24	18677	1	Gasket		
25	3841413	2	Sprocket wheel		
26	3841424	1	Bracket		
27	967949	2	Flange screw		
28		1	Tachometer sensor	8386	
29	946544	1	Flange screw		
30	949607	2	Spring washer		
31	949278	1	Flange lock nut		
32	975126	8	Flange screw		