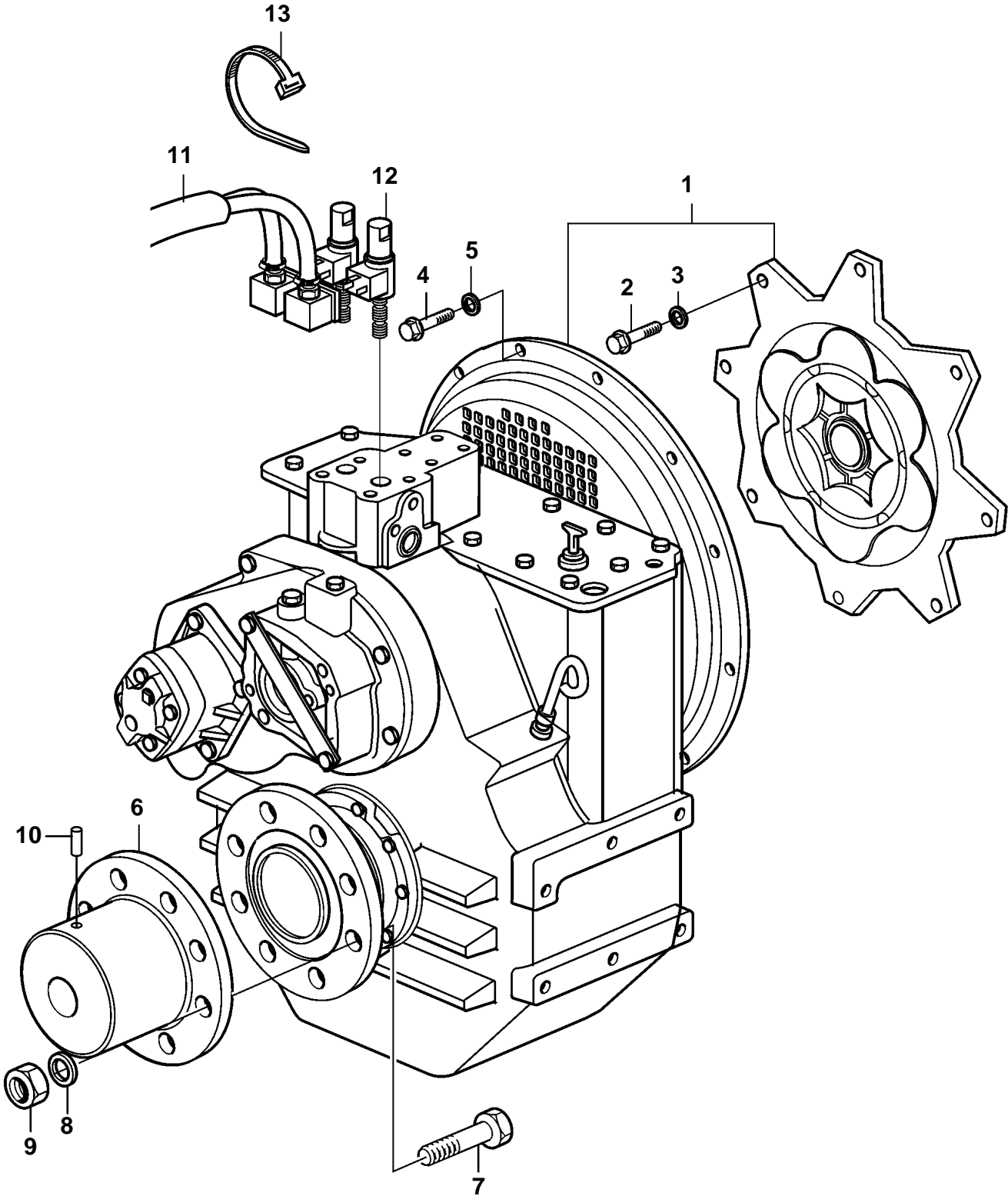


D12D-A MH



D12D-A MH

REF	PART NO.	QTY	DESCRIPTION	NOTES
1		1	Reversing gear	RATIO 3.28:1
		1	Reversing gear	RATIO 3.43:1
		1	Reversing gear	RATIO 4.17:1
		1	Reversing gear	RATIO 4.59:1
		1	Reversing gear	RATIO 4.86:1
2	965192	8	Flange screw	
3	940280	8	Spring washer	
4	946472	12	Flange screw	
5	941908	12	Spring washer	
6	837093	1	Clutch flange	10,5"
7	955764	8	Hexagon screw	
8		8	Washer	
9	950380	8	Lock nut	
10		2	Pin	
11	873827	1	Cable kit	
12	3587981	2	Starter solenoid	
13	948211	X	Cable tie	