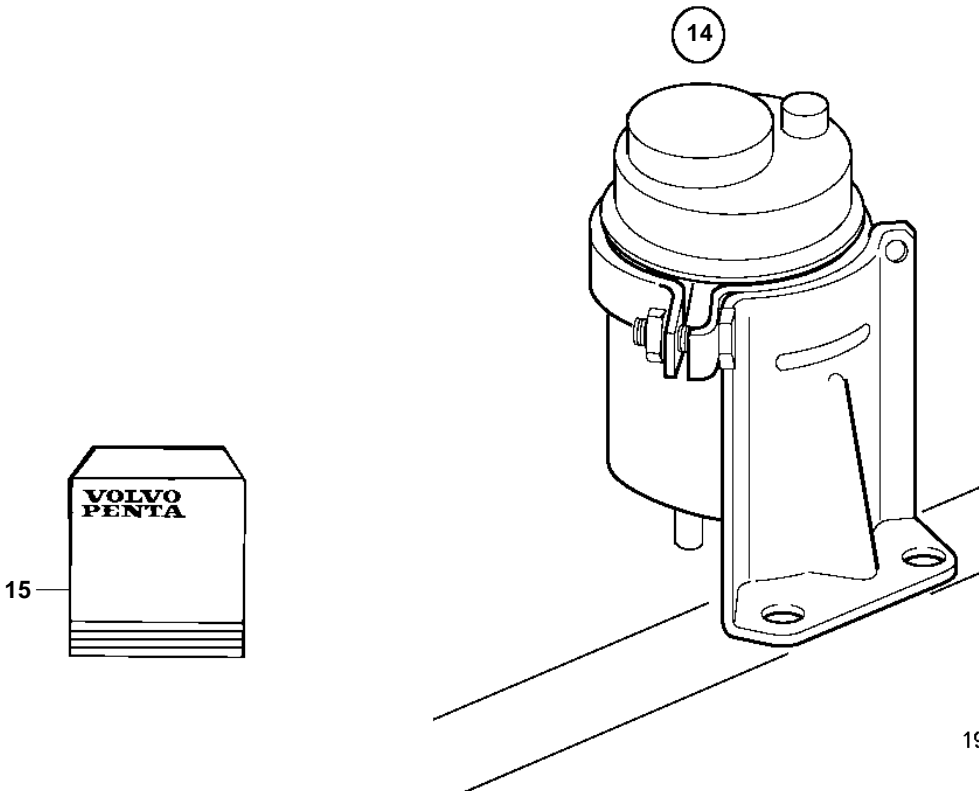
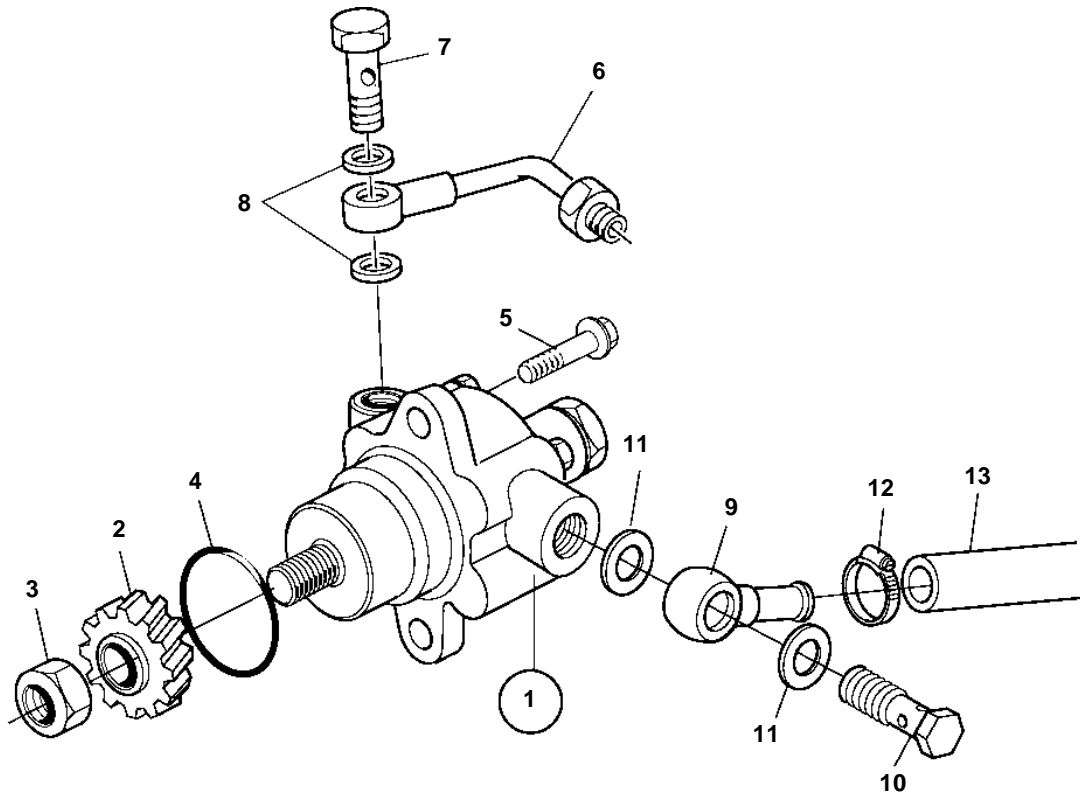


D12D-A MH, D12D-B MH, D12D-C MH, D12D-E MH, D12D-G MH, D12C-A MP, D12D-A MP, D12D-B MP, D12D-C MP, D12D-D MP, D12D-E MP, D12D-F MP



19279

D12D-A MH, D12D-B MH, D12D-C MH, D12D-E MH, D12D-G MH, D12C-A MP, D12D-A MP, D12D-B MP, D12D-C MP, D12D-D MP, D12D-E MP, D12D-F MP

REF	PART NO.	QTY	DESCRIPTION	SEE SEC.	NOTES
1	3172488	1	Oil pump		
			· Parts not sold separately		
2	8170423	1	· Gear		
3	20367040	1	· Castle nut		
4	925256	1	O-ring		
5	946472	2	Flange screw		
6	3987505	1	Servo pipe		
7	190714	1	Hollow screw		
8	948884	2	Gasket		
9	1598185	1	Banjo nipple		
10	191620	1	Hollow screw		
11	977937	2	Gasket		
12	961667	2	Hose clamp		
13	8157557	X	Hose		L=2000mm
14	872137	1	Tank		(1592945)
				4408	
15	276140	1	Gasket kit, hydraulic pump		
	3090436	1	Rotor kit		