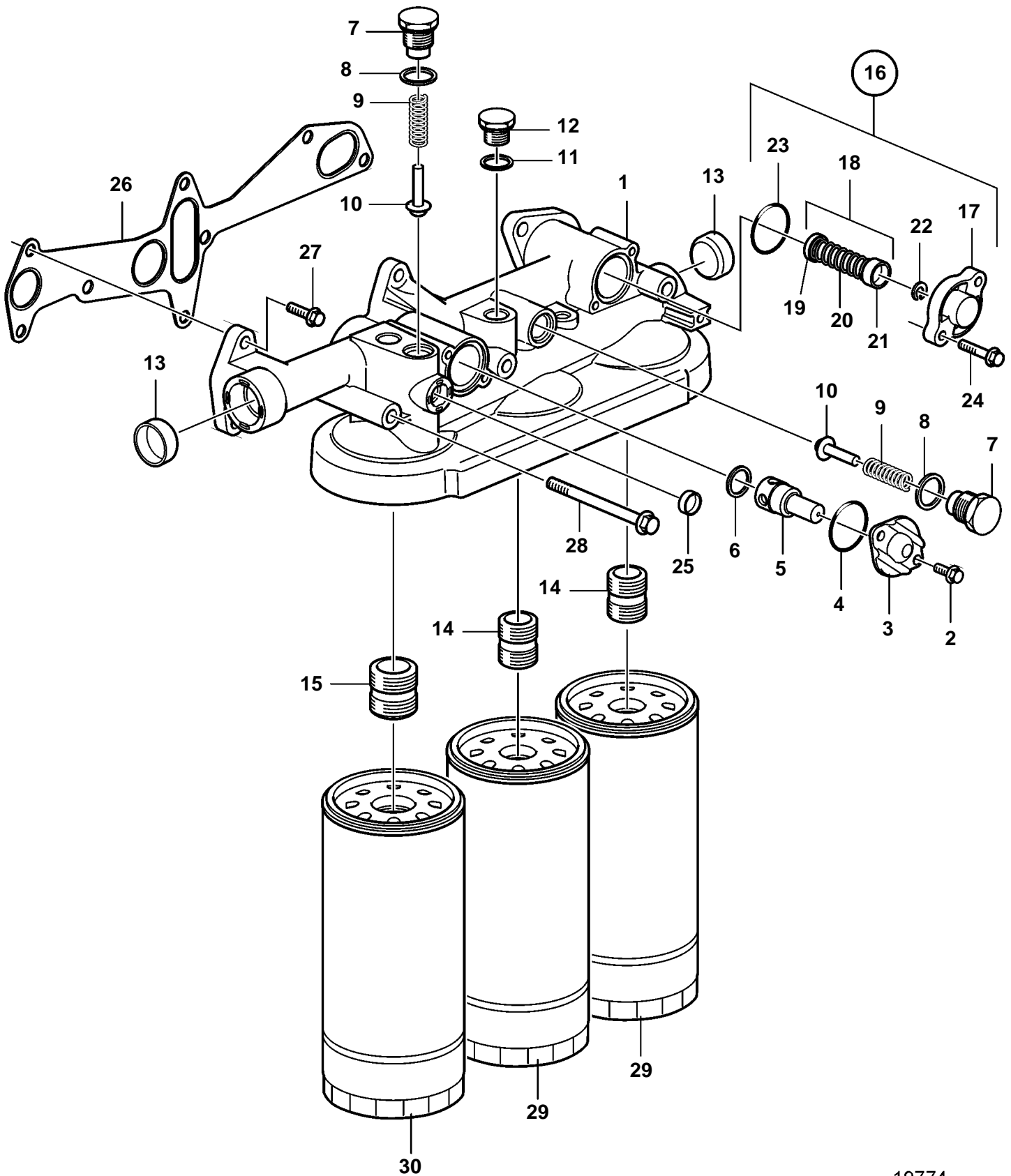


D12D-F MP



19774

## D12D-F MP

REF	PART NO.	QTY	DESCRIPTION
1	8170274	1	Oil filter housing
2	946544	2	Flange screw
3	471648	1	Cover
4	949659	1	O-ring
5	1546305	1	Piston cooling valve
6	469846	1	Sealing ring
7	471598	2	Plug
8	947627	2	Gasket
9	466653	2	Compression spring
10	471085	2	Valve cone
11	11998	1	Gasket
12	960632	1	Plug
13	948812	2	Cap plug
14	466623	2	Nipple
15	469904	1	Nipple
16	3169689	1	Valve
17	3184806	1	· Cover
18	3169687	1	· Delivery valve
19		1	· · Valve
20		1	· · Spring
21		1	· · Valve guide
22	955964	1	· · Snap ring
23	976039	1	· · O-ring
24	947542	2	Flange screw
25	946778	1	Cap plug
26	8170534	1	Gasket
27	945444	5	Flange screw
28	969225	3	Flange screw
29	478736	2	Oil filter
30	477556	1	Oil filter