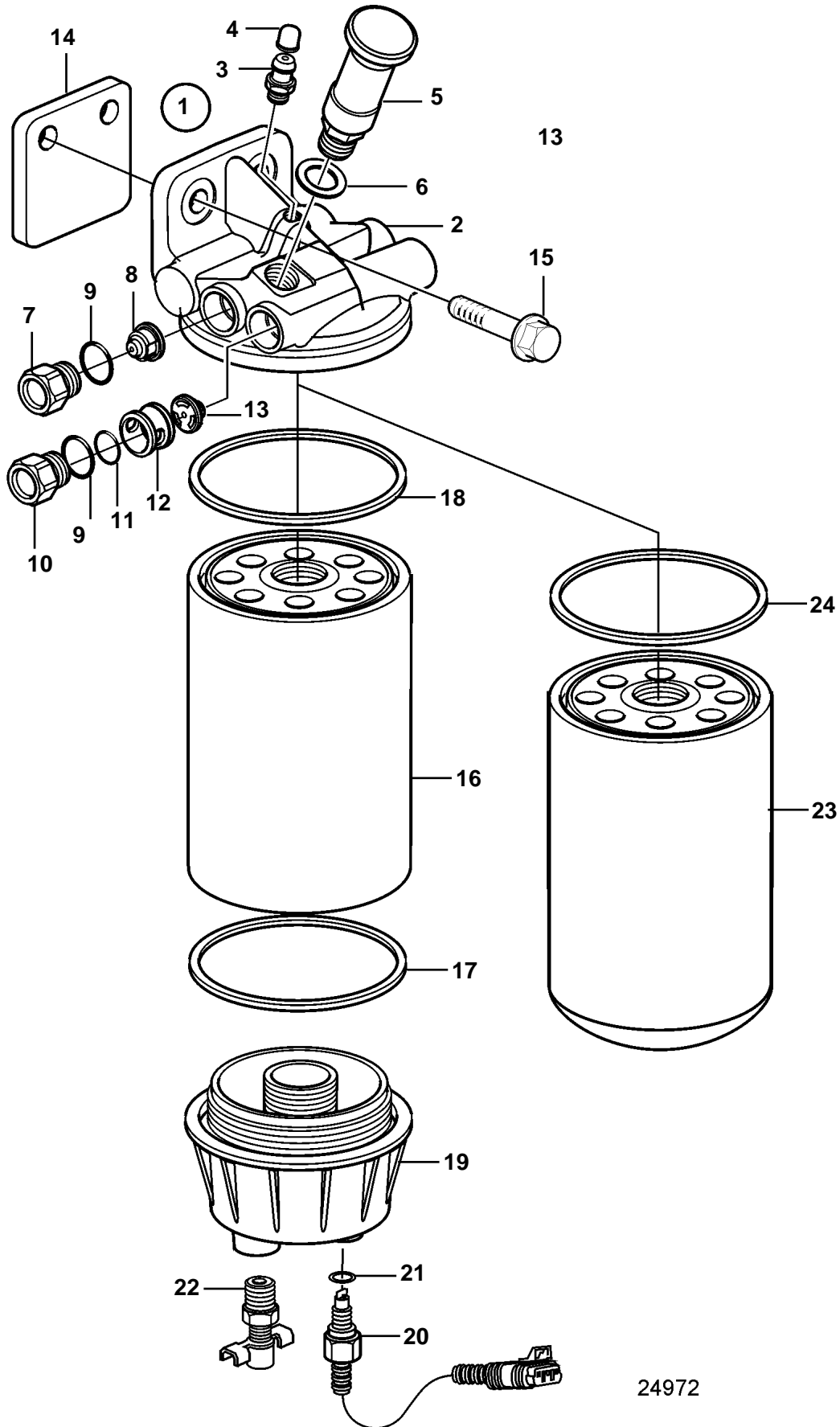


D12D-C MH, D12D-C MP, D12D-D MP



D12D-C MH, D12D-C MP, D12D-D MP

| REF | PART NO. | QTY | DESCRIPTION |
|-----|----------|-----|-----------------------|
| 1 | 21303231 | 1 | Fuel filter housing |
| 2 | | 1 | · Fuel filter housing |
| 3 | 20548012 | 1 | · Faucet |
| 4 | 20547976 | 1 | · Protecting cover |
| 5 | 3837393 | 1 | · Hand pump |
| 6 | 947622 | 1 | · Gasket |
| 7 | 21140340 | 1 | · Nipple |
| 8 | 21113993 | 1 | · Check valve |
| 9 | 1526474 | 2 | · O-ring |
| 10 | 8148328 | 1 | · Nipple |
| 11 | 976971 | 1 | · O-ring |
| 12 | 3964717 | 1 | · Spacer sleeve |
| 13 | 244834 | 1 | · Valve |
| 14 | 21358057 | 1 | Plate |
| 15 | 946472 | 2 | Flange screw |
| 16 | 3809721 | 1 | Fuel filter |
| 17 | | 1 | · Gasket |
| 18 | | 1 | · Gasket |
| 19 | | 1 | Bowl |
| 20 | 3885070 | 1 | · Sensor |
| 21 | 3831094 | 1 | · · O-ring |
| 22 | 21279867 | 1 | · Drain valve |
| 23 | 3888460 | 1 | Fuel filter |
| 24 | | 1 | · Gasket |