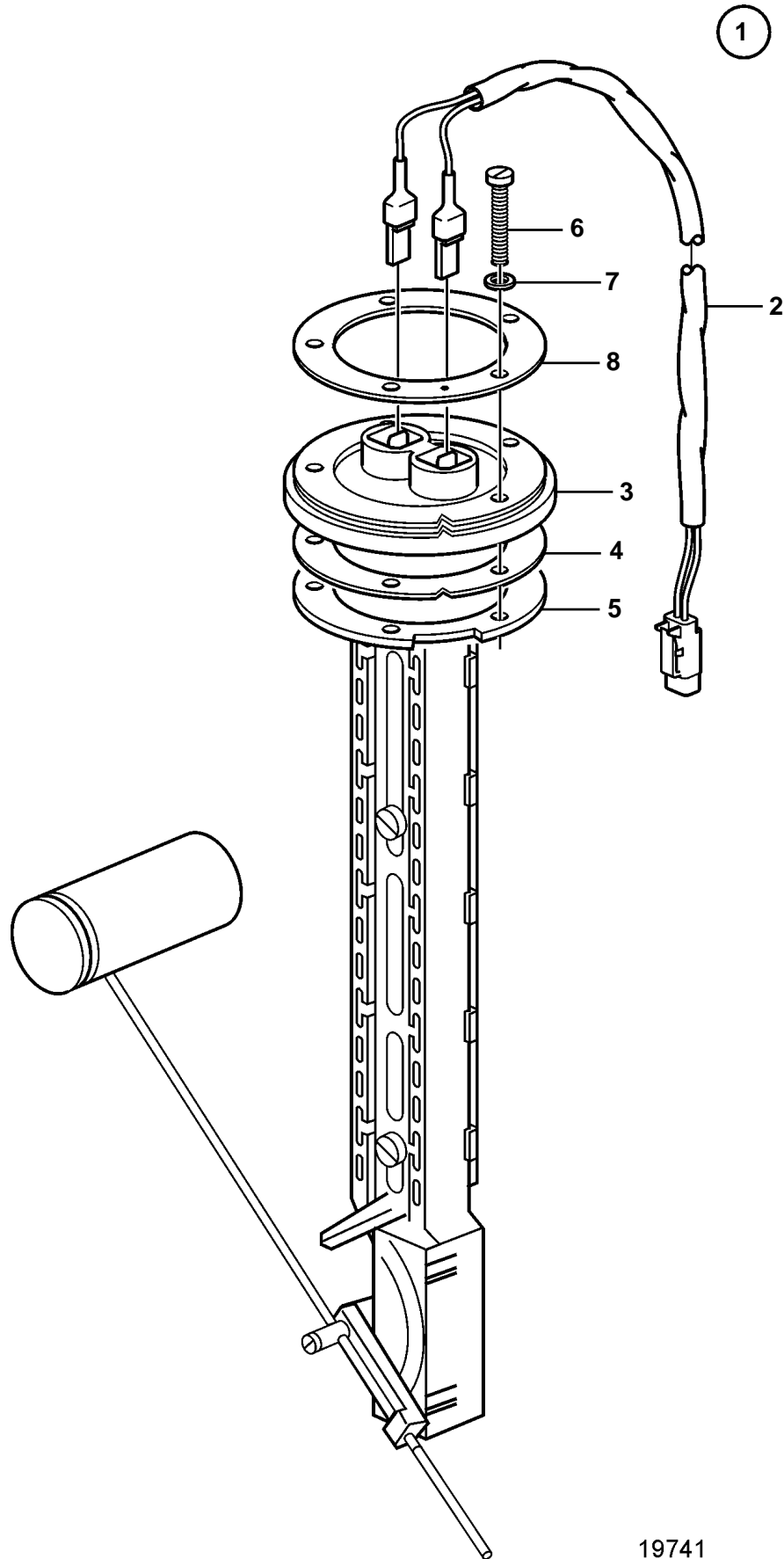


D12D-B MH, D12D-A MP, D12D-B MP



D12D-B MH, D12D-A MP, D12D-B MP

REF	PART NO.	QTY	DESCRIPTION	NOTES
1	3812291	1	Sensor kit, set	
2	874807	1	· Cable kit	L=6.0m
3	873772	1	· Tank sensor	
4	89865	1	· · Gasket	
5	834480	1	· · Flange	
6	969407	4	· · 6 point socket screw	L=16mm
	956081	1	· · · Cross recessed screw	(956078) L=25mm
7	834481	5	· · · Gasket	
8		1	· · · Flange	