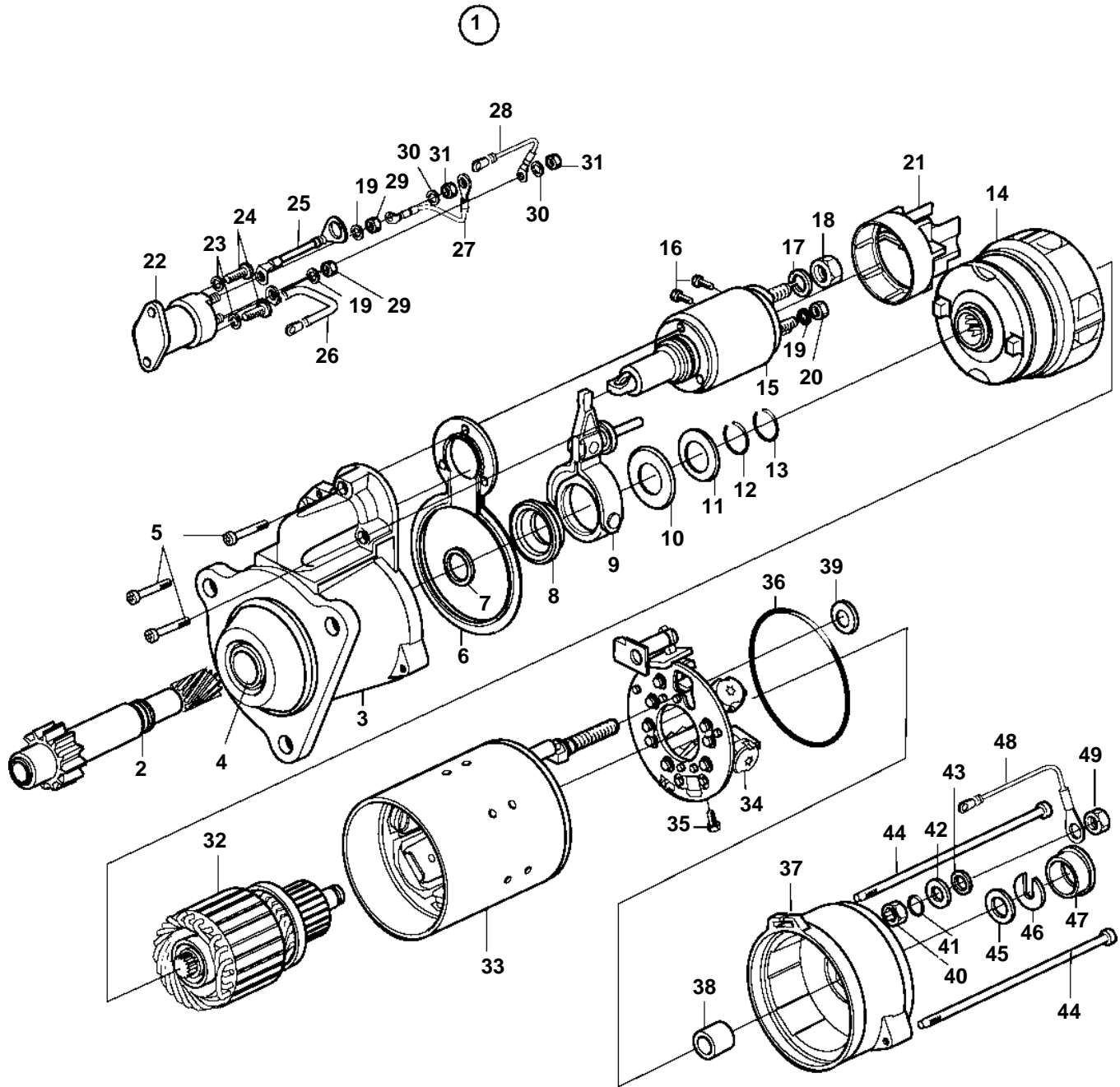


D12D-B MH, D12D-C MH, D12D-A MP, D12D-B MP, D12D-C MP, D12D-D MP



D12D-B MH, D12D-C MH, D12D-A MP, D12D-B MP, D12D-C MP, D12D-D MP

REF	PART NO.	QTY	DESCRIPTION	NOTES
1	874468	1	Starter motor	
	3803872	1	Starter motor, exch, exch	
2	3885269	1	· Starter pinion	(3819991)
3	874350	1	· Bearing housing	
4		1	· · Sealing ring	
5		3	· Screw	
6		1	· Gasket	
7		1	· Washer	
8		1	· Washer	
9		1	· Intermediate lever	
10		1	· Washer	
11		1	· Washer	
12		1	· Lock ring	
13		1	· Lock ring	
14	874352	1	· Planetary gear	
15	3819998	1	· Solenoid	
16		2	· Screw	
17		2	· Spring washer	
18		2	· Nut	
19		3	· Spring washer	
20		1	· Nut	
21		1	· Protecting casing	
22	3887186	1	· Starter relay	(3840001)
23		2	· Spring washer	
24		2	· Screw	
25	874357	1	· Cable	
26		1	· Cable	
27		1	· Cable	
28		1	· Cable	
29		2	· Nut	
30		2	· Spring washer	
31		2	· Nut	
32		1	· Rotor	
33		1	· Field winding	
34	874354	1	· Brush retainer	
35		1	· Screw	
36		1	· O-ring	
37		1	· Bearing	
38		1	· · Bearing bushing	
39		1	· Washer	
40		1	· Insulating sleeve	
41		1	· Gasket	
42		1	· Insulating washer	
43		1	· Washer	
44		2	· Screw	
45		1	· Washer	
46		1	· Lock washer	
47		1	· Protecting casing	
48		1	· Cable	
49		1	· Nut	