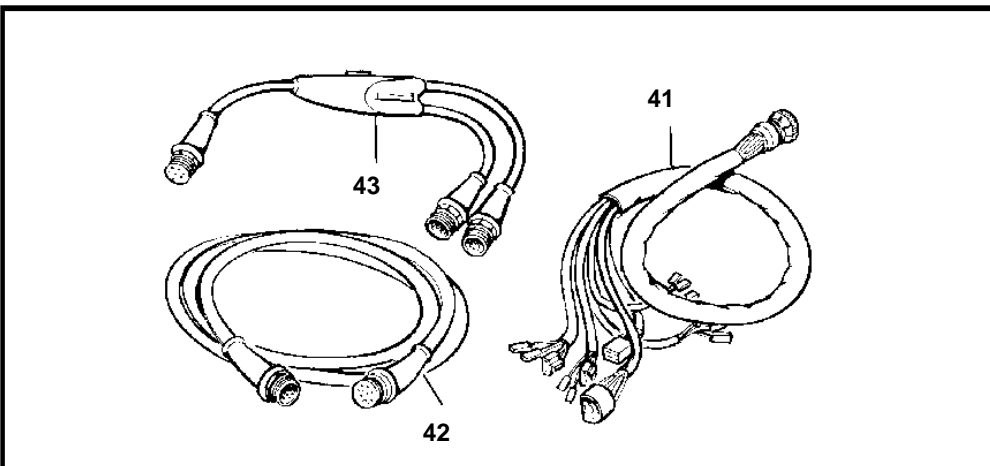
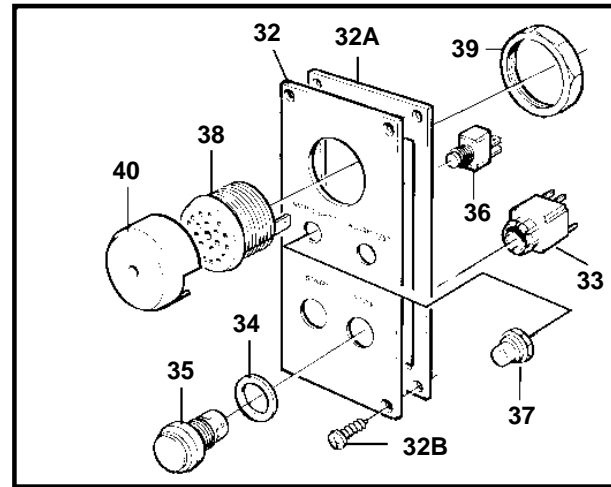
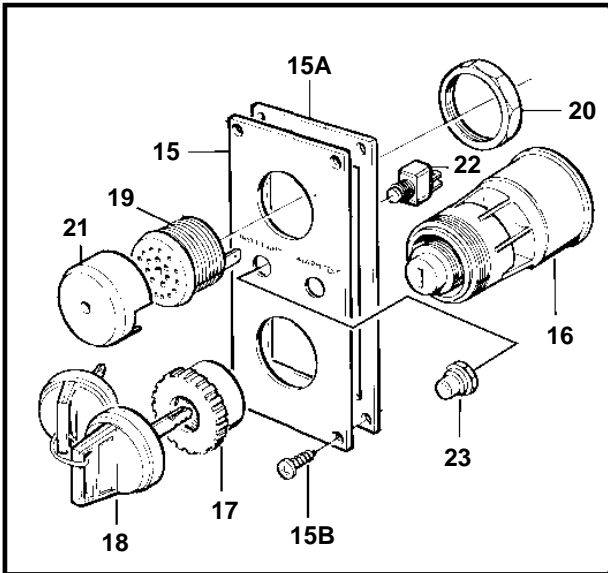
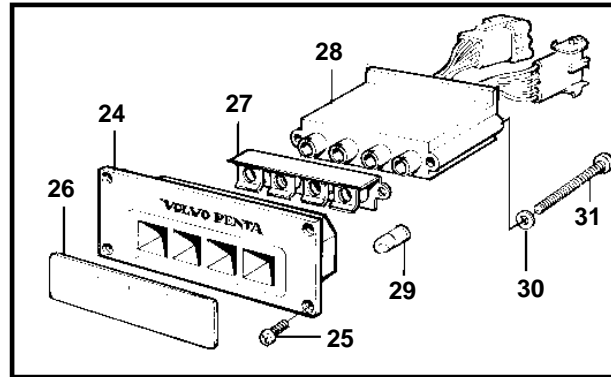
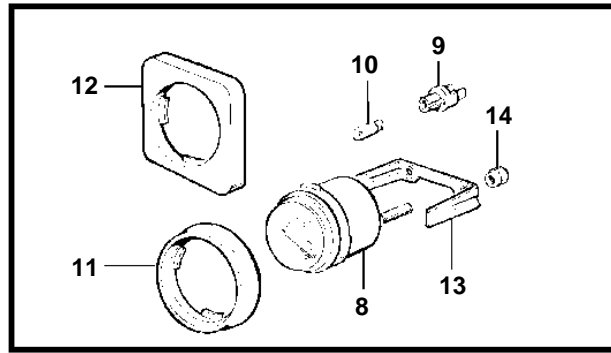
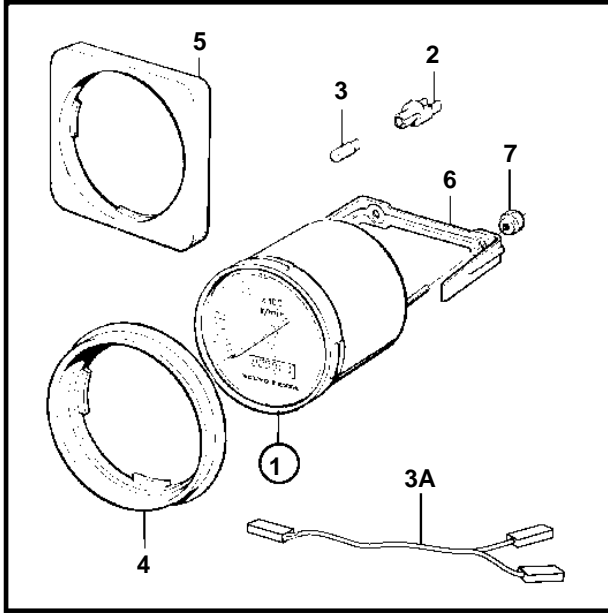


D12D-A MH, D12C-A MP



17895

D12D-A MH, D12C-A MP

REF	PART NO.	QTY	DESCRIPTION	SEE SEC.	NOTES
1	874496	1	Tachometer kit		2600 RPM, (873995)
2	863945	1	• Lamp socket		
3	863947	1	• Bulb		1,2W RED
3A		1	• Cable kit		
4	873517	1	Ring		ALT, D=75mm
5		1	Instrument frame		ALT, D=75mm
6	873208	1	Brace kit		
7		2	• Nut		
8	873206	1	Turbo pressure gauge		
	873196	1	Thermometer		40-120°C
	873198	1	Oil pressure gauge		10x100kPa
	873202	1	Oil pressure gauge, reverse gear		30x100kPa
	873200	1	Voltmeter		
9	863945	1	• Lamp socket		
10	863947	1	• Bulb		
11	858643	1	Front ring		ALT, D=52mm
12	856822	1	Instrument frame		ALT, D=52mm
13	873207	1	Brace kit		
14		2	• Nut		
15	873271	1	Panel		
15A	873273	1	Gasket		
15B	828647	4	Screw		
16	3587072	1	Starter switch		(864277)
17	859955	1	• Plastic nut		
18	859953	2	• Key		State key code when ordering.
			• Bulletin 49-30	49-30-EN	Key P/N 859953 (828587)
19	3817974	1	Alarm		
20		1	• Nut		
21	858795	1	Protecting casing		
22	828584	1	Toggle switch		ALARM TEST
	828585	1	Toggle switch		INSTR. LIGHT
23	828586	2	Nut		
24	858876	1	Symbol panel		
25	828647	4	• Screw		
26	858645	1	• Symbol strip		
27	828784	1	Reflector		
28	873737	1	Electronic unit		(873209)
29	828818	4	Bulb		
30	941904	2	Spring washer		
31	941615	2	Cross recessed screw		
32	873272	1	Panel		
32A	873273	1	Gasket		
32B	828647	4	Screw		
33	876950	1	Push button kit		START, GREEN
	876950	1	Push button kit		STOP, RED
34		2	• Gasket		
35		2	• Push button		
36	828584	1	Toggle switch		ALARM TEST
	828585	1	Toggle switch		INSTR. LIGHT
37	828586	2	Nut		
38	828587	1	Buzzer		
39		1	• Nut		
40	858795	1	Protecting casing		
41	873958	1	Wiring harness		MAIN STATION
	873580	1	Wiring harness		For panel kit, twin stations.
42	846648	1	Extension cable\verl		16-pole, L=3.0m
	846649	1	Extension cable\verl		16-pole, L=5.0m
	846650	1	Extension cable\verl		16-pole, L=7.0m
	873838	1	Extension cable\verl		16-pole, L=9.0m
	873839	1	Extension cable\verl		16-pole, L=11.0m
43	1140598	1	Distributing contact		