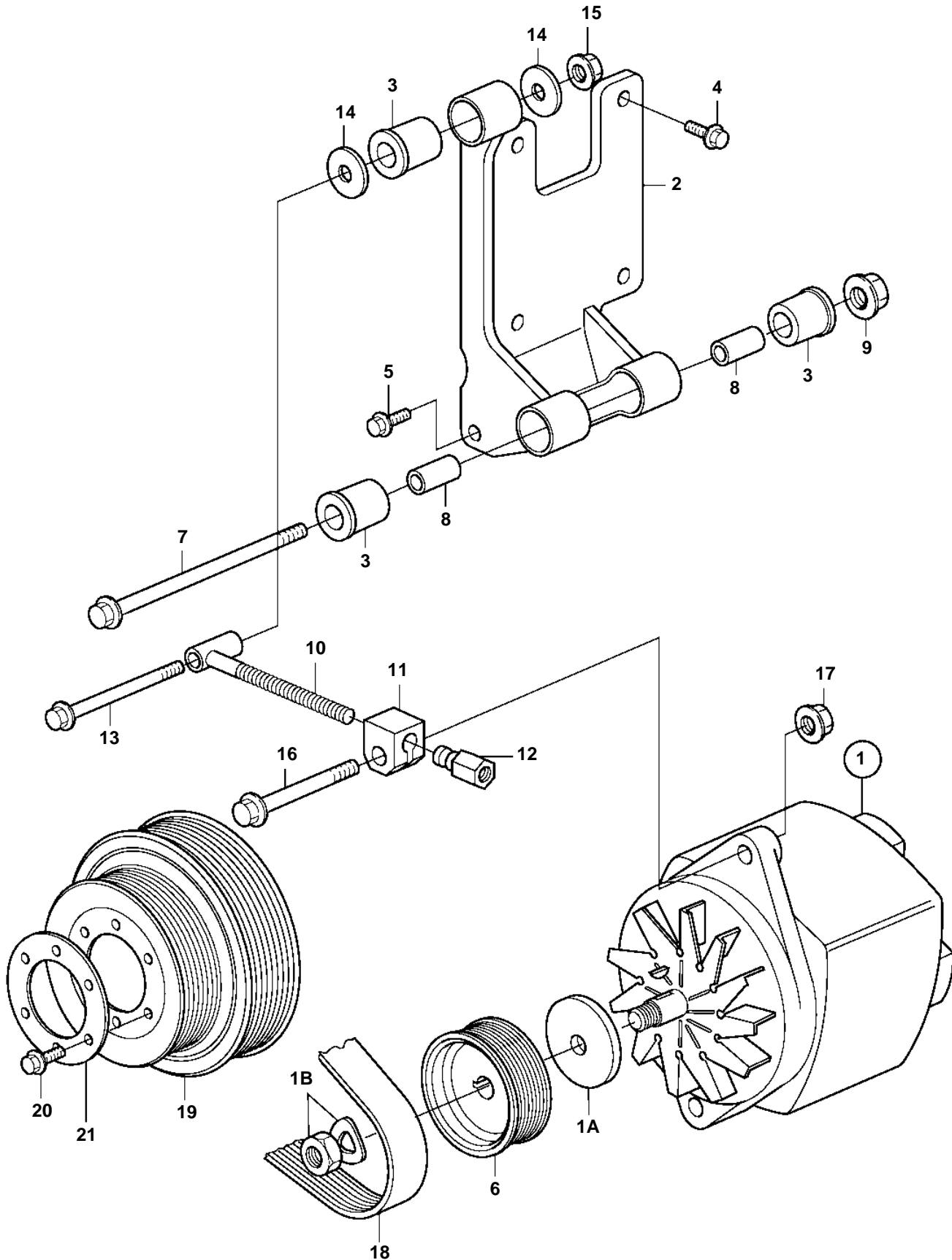


D12D-A MH, D12D-B MH, D12D-C MH, D12C-A MP, D12D-A MP, D12D-B MP, D12D-C MP, D12D-D MP



D12D-A MH, D12D-B MH, D12D-C MH, D12C-A MP, D12D-A MP, D12D-B MP, D12D-C MP, D12D-D MP

REF	PART NO.	QTY	DESCRIPTION
1	3884858	1	Alternator
	3803940	1	Alternator, exch, exch
			· Parts not sold separately
1A		1	· Spacer washer
1B		1	· Connector kit
2	3827103	1	Bracket
3	865362	3	Rubber bushing
4	945444	4	Flange screw
5	965182	1	Flange screw
6	3827102	1	Pulley
7	979935	1	Flange screw
8	846903	2	Spacer sleeve
9	971096	1	Flange nut
10	3036795	1	Tensioning screw
11	3036796	1	Tension block
12	3036797	1	Collet
13	965196	1	Flange screw
14	960145	3	Washer
15	971096	1	Flange nut
16	965188	1	Flange screw
17	971095	1	Flange nut
18	978217	1	V-ribbed belt
19	1546482	1	Pulley
20	945444	6	Flange screw
21	3979500	1	Washer