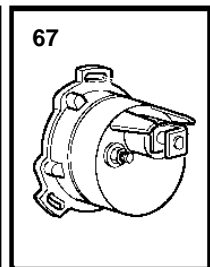
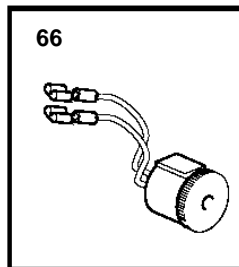
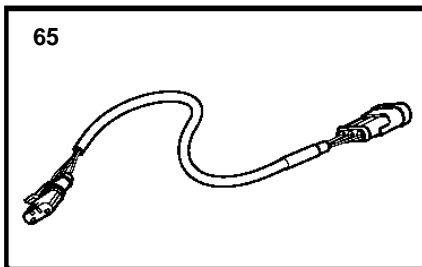
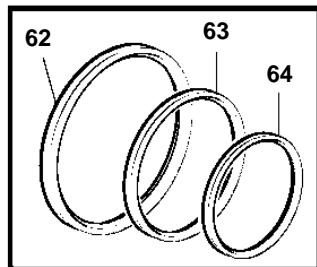
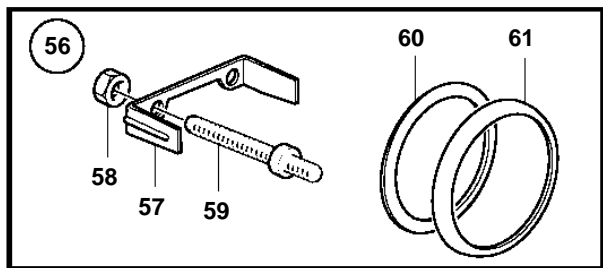
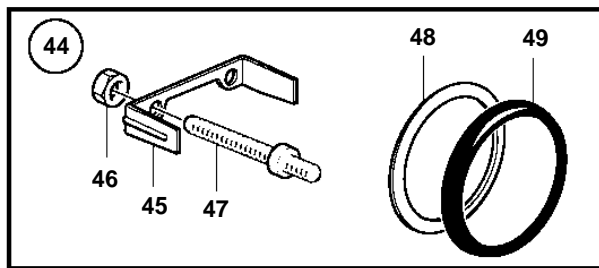
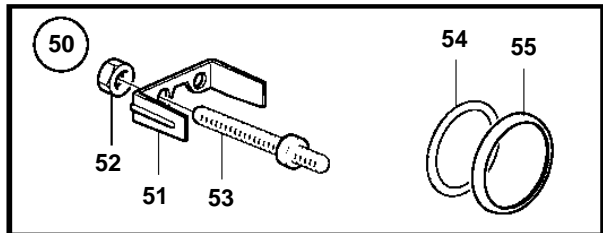
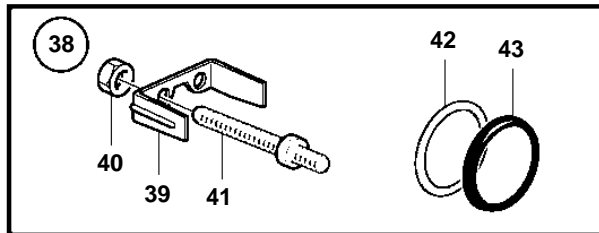
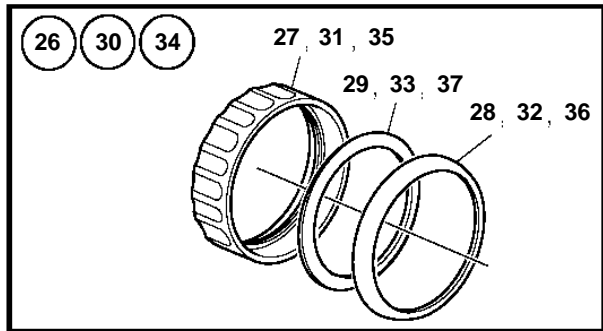
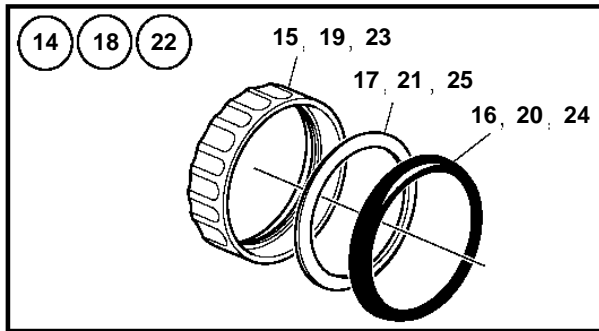
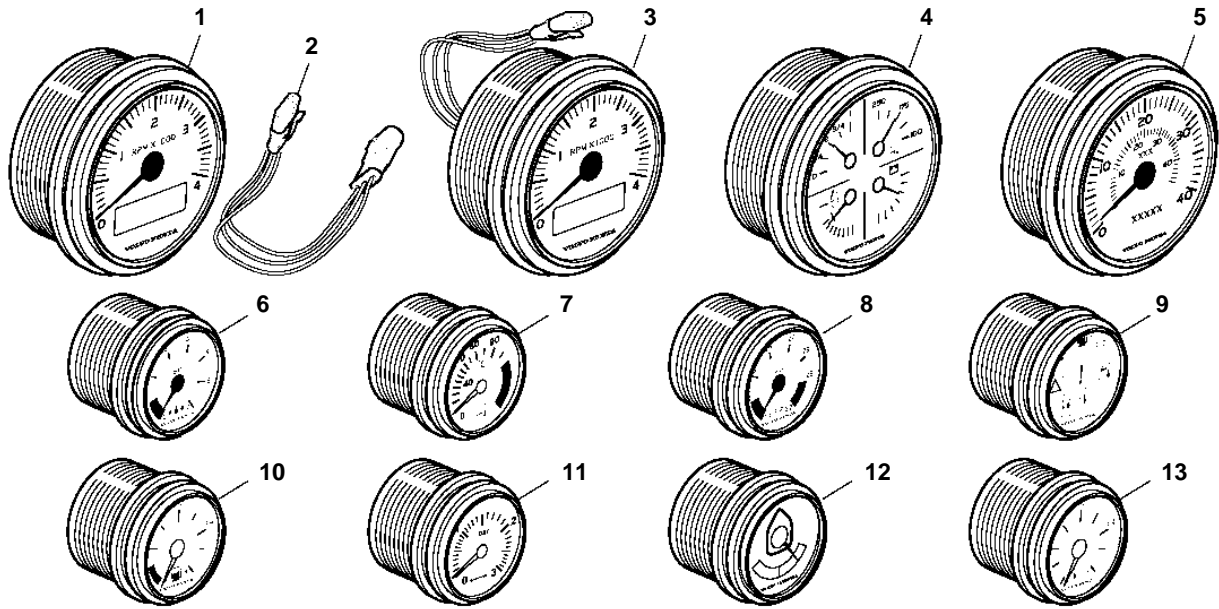


D12D-A MH, D12D-B MH, D12D-C MH, D12D-E MH, D12D-A MP, D12D-B MP, D12D-C MP, D12D-D MP, D12D-E MP, D12D-F MP



24690

D12D-A MH, D12D-B MH, D12D-C MH, D12D-E MH, D12D-A MP, D12D-B MP, D12D-C MP, D12D-D MP, D12D-E MP, D12D-F MP

REF	PART NO.	QTY	DESCRIPTION	SEE SEC.	NOTES
1	3885694	1	Tachometer		Black, 4000rpm, Cable not included
	3885695	1	Tachometer		White, 4000rpm, Cable not included
2	3884843	1	• Wiring harness		
3	3847834	1	Tachometer kit		White, 4000rpm, D=110mm, Cable included
			• Bulletin P-36-9-3	P-36-9-3-EN	New products in the EVC family
3	3847831	1	Tachometer kit		Black, 4000rpm, D=110mm, Cable included
			• Bulletin P-36-9-3	P-36-9-3-EN	New products in the EVC family
4	3885214	1	Instrument		Four in one gauge (oil pressure, coolant temp, fuel level, volt meter), WHITE, D=110mm
			• Bulletin P-36-9-3	P-36-9-3-EN	New products in the EVC family
4	3885215	1	Instrument		Four in one gauge (trim analog, coolant temp, fuel level, volt meter), WHITE, D=110mm
			• Bulletin P-36-9-3	P-36-9-3-EN	New products in the EVC family
4	3847876	1	Instrument		Four in one gauge (oil pressure, coolant temp, fuel level, volt meter), BLACK, D=110mm
			• Bulletin P-36-9-3	P-36-9-3-EN	New products in the EVC family
4	3847879	1	Instrument		Four in one gauge (trim analog, coolant temp, fuel level, volt meter), BLACK, D=110mm
			• Bulletin P-36-9-3	P-36-9-3-EN	New products in the EVC family
5	874930	1	Speedometer		White 0-40 Knots, 0-40 mph
	874917	1	Speedometer		Black 0-40 Knots, 0-40 mph
	881650	1	Speedometer		White 0-60 Knots, 0-60 mph
	881645	1	Speedometer		Black 0-60 Knots, 0-60 mph
	3807508	1	Speedometer		Black, 0-40 mph
	3847851	1	Speedometer		Black, 0-45 MPH
	3807510	1	Speedometer		Black, 0-60 mph
	3847857	1	Speedometer		Black, 0-70 MPH
		1	Speedometer		WHITE, 0-40 mph
	3847854	1	Speedometer		White, 0-45 MPH
	3807513	1	Speedometer		WHITE, 0-60 mph
	3847860	1	Speedometer		White, 0-70 MPH
	3595249	1	Speedometer		Unit neutral, WHITE, D=110mm, 0-40
			• Bulletin P-36-9-3	P-36-9-3-EN	New products in the EVC family
5	3595253	1	Speedometer		Unit neutral, WHITE, D=110mm, 0-60
			• Bulletin P-36-9-3	P-36-9-3-EN	New products in the EVC family
5	3595246	1	Speedometer		Unit neutral, BLACK, D=110mm, 0-40
			• Bulletin P-36-9-3	P-36-9-3-EN	New products in the EVC family
5	3595250	1	Speedometer		Unit neutral, BLACK, D=110mm, 0-60
			• Bulletin P-36-9-3	P-36-9-3-EN	New products in the EVC family
6	874919	1	Oil pressure gauge		Black 0-100 psi
	874923	1	Oil pressure gauge		WHITE 0-7 bar
	874932	1	Oil pressure gauge		WHITE 0-100 psi
7	874904	1	Thermometer, coolant water		Black 0-120°C
	874921	1	Thermometer, coolant water		White 0-120°C
	874918	1	Thermometer, coolant water		Black 40-250 °F
	874931	1	Thermometer, coolant water		White 40-250 °F
	881857	1	Thermometer, oil		BLACK 40-300 °F
	881858	1	Thermometer, oil		WHITE 40-300 °F
8	881649	1	Voltmeter		12V, Black
	881658	1	Voltmeter		12V, White
	874913	1	Voltmeter		24V, BLACK
	874925	1	Voltmeter		24V, WHITE
9	874915	1	Instrument, alarm		Black D=52mm
	874927	1	Instrument, alarm		White D=52mm
10	874914	1	Fuel gauge		Black D=52mm
	874926	1	Fuel gauge		White D=52mm
11	874910	1	Turbo pressure gauge		Black 0-3 bar
	874920	1	Turbo pressure gauge		BLACK 0-45 PSI
	874924	1	Turbo pressure gauge		WHITE 0-3 bar
	874933	1	Turbo pressure gauge		WHITE 0-45 PSI
12	3812914	1	Rudder indicator		BLACK
	3812917	1	Rudder indicator		WHITE
13	874911	1	Pressure gauge, fresh water		

D12D-A MH, D12D-B MH, D12D-C MH, D12D-E MH, D12D-A MP, D12D-B MP, D12D-C MP, D12D-D MP, D12D-E MP, D12D-F MP

REF	PART NO.	QTY	DESCRIPTION	SEE SEC.	NOTES
13	874912	1	Pressure gauge, fresh water		
14	874709	1	Mounting kit		Black D=52mm
15	874450	1	· Attaching ring		
16	874448	1	· Ring		
17	874707	1	· Gasket		
18	874708	1	Mounting kit		Black D=85mm
19	874449	1	· Attaching ring		
20	874447	1	· Ring		
21	874706	1	· Gasket		
22	3847888	1	Mounting kit		BLACK D=110mm
			· Bulletin P-36-9-3	P-36-9-3-EN	New products in the EVC family
23	3884098	1	· Attaching ring		
24	3847887	1	· Ring		
25	3884103	1	· Gasket		
26	874733	1	Mounting kit		Chrome D=52mm
27	874450	1	· Attaching ring		
28	874731	1	· Ring		
29	874707	1	· Gasket		
30	874732	1	Mounting kit		Chrome D=85mm
31	874449	1	· Attaching ring		
32	874730	1	· Ring		
33	874706	1	· Gasket		
34	3885216	1	Mounting kit		CHROME D=110mm
			· Bulletin P-36-9-3	P-36-9-3-EN	New products in the EVC family
35	3884098	1	· Attaching ring		
36	3884096	1	· Ring		
37	3884103	1	· Gasket		
38	881611	1	Brace kit		Black D=52mm
39	881607	1	· Brace		
40	881610	2	· Nut		
41	881609	2	· Stud		
42	874707	1	· Gasket		
43	874448	1	· Ring		
44	881612	1	Brace kit		Black D=85mm
45	881608	1	· Brace		
46	881610	2	· Nut		
47	881609	2	· Stud		
48	874706	1	· Gasket		
49	874447	1	· Ring		
50	881613	1	Brace kit		Chrome D=52mm
51	881607	1	· Brace		
52	881610	2	· Nut		
53	881609	2	· Stud		
54	874707	1	· Gasket		
55	874731	1	· Ring		
56	881614	1	Brace kit		Chrome D=85mm
57	881608	1	· Brace		
58	881610	2	· Nut		
59	881609	2	· Stud		
60	874706	1	· Gasket		
61	874730	1	· Ring		
62	3886791	1	X-ring		For flush mounting., D=110mm
			· Bulletin P-36-9-3	P-36-9-3-EN	New products in the EVC family
63	874844	1	X-ring		For flush mounting., D=85mm
64	874843	1	X-ring		For flush mounting., D=52mm
65	874759	1	Extension cable\verl		L=1000mm
	3807043	1	Extension cable\verl		L=3000mm
66	3817974	1	Alarm		
67	3809099	1	Sensor		Rudder indicator