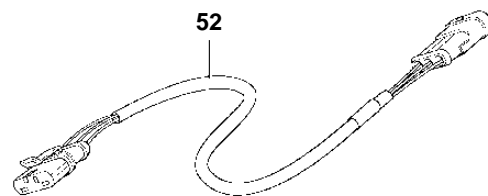
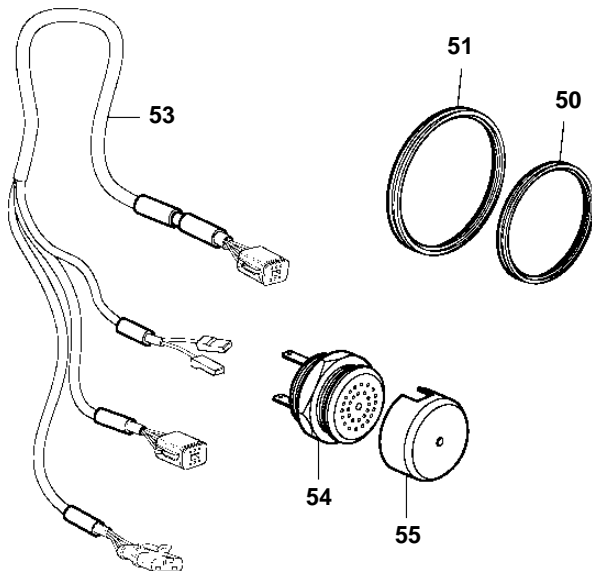
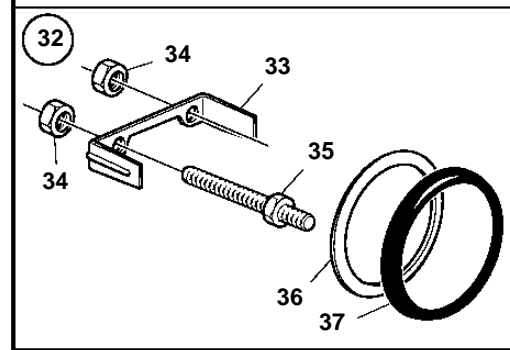
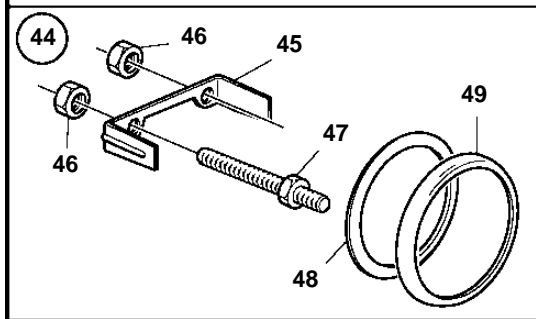
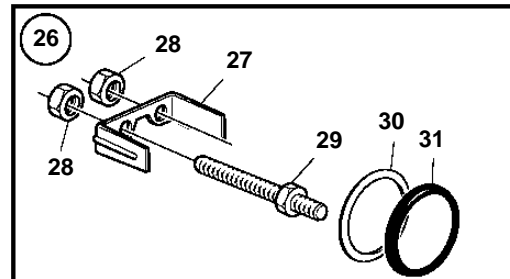
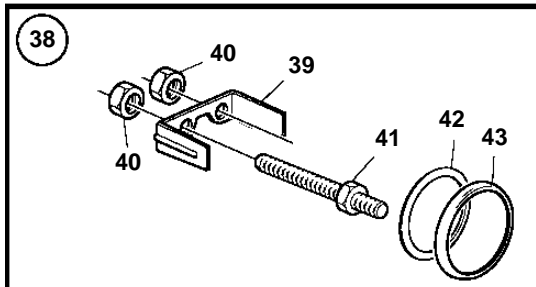
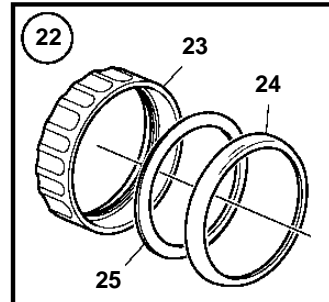
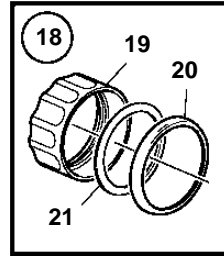
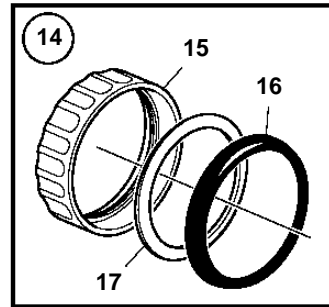
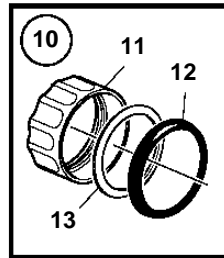
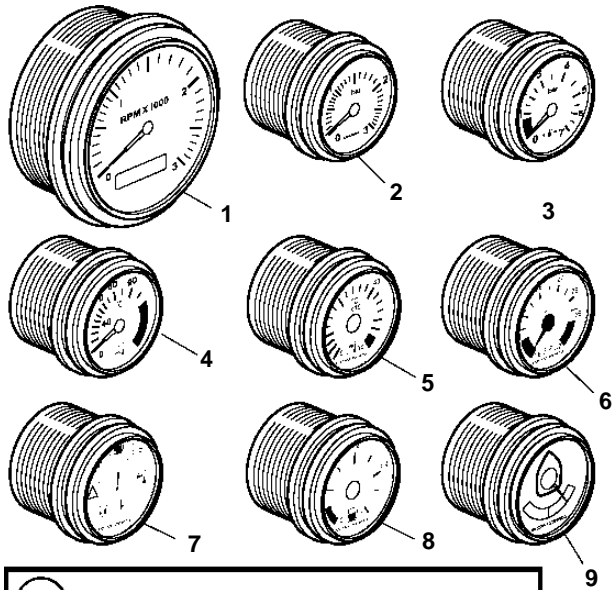


D12D-A MH, D12D-B MH, D12D-C MH, D12D-E MH, D12D-G MH, D12C-A MP, D12D-A MP, D12D-B MP, D12D-C MP, D12D-D MP, D12D-E MP, D12D-F MP



21604

D12D-A MH, D12D-B MH, D12D-C MH, D12D-E MH, D12D-G MH, D12C-A MP, D12D-A MP, D12D-B MP, D12D-C MP, D12D-D MP, D12D-E MP, D12D-F MP

REF	PART NO.	QTY	DESCRIPTION	NOTES
1	874903	1	Tachometer	Black D=85mm
	874928	1	Tachometer	WHITE D=85mm
2	874910	1	Turbo pressure gauge	Black 0-3 bar
	874924	1	Turbo pressure gauge	WHITE 0-3 bar
	874920	1	Turbo pressure gauge	BLACK 0-45 psi
	874933	1	Turbo pressure gauge	WHITE 0-45 psi
	874911	1	Pressure gauge, freshwater	Black 0-3 bar
	874912	1	Pressure gauge, sea water	Black 0-3 bar
3	874908	1	Oil pressure gauge, engine	BLACK 0-7 bar
	874923	1	Oil pressure gauge, engine	WHITE 0-7 bar
	874919	1	Oil pressure gauge, engine	Black 0-100 psi
	874932	1	Oil pressure gauge, engine	WHITE 0-100 psi
	874909	1	Oil pressure gauge, reverse gear	BLACK 0-25 bar
	874950	1	Oil pressure gauge, reverse gear	WHITE 0-25 bar
	874951	1	Oil pressure gauge, reverse gear	BLACK 0-350 psi
	874952	1	Oil pressure gauge, reverse gear	WHITE 0-350 psi
4	874904	1	Thermometer, coolant water	Black 0-120°C
	874921	1	Thermometer, coolant water	White 0-120°C
	874918	1	Thermometer, coolant water	Black 40-250 °F
	874931	1	Thermometer, coolant water	White 40-250 °F
	874905	1	Thermometer, oil-engine	BLACK 0-150°C
	874922	1	Thermometer, oil-engine	WHITE 0-150°C
	881857	1	Thermometer, oil-engine	BLACK 40-300 °F
	881858	1	Thermometer, oil-engine	WHITE 40-300 °F
	874906	1	Thermometer, reverse gear	Black 0-120°C
5	874907	1	Thermometer, exhaust temp	BLACK 0-600 °C
6	874913	1	Voltmeter	Black
	874925	1	Voltmeter	WHITE
7	874915	1	Instrument, alarm	BLACK
	874927	1	Instrument, alarm	WHITE
8	874914	1	Fuel gauge	BLACK
	874926	1	Fuel gauge	WHITE
9	3812914	1	Rudder indicator	BLACK
	3812917	1	Rudder indicator	WHITE
10	874709	1	Mounting kit	Black D=52mm
11	874450	1	• Attaching ring	
12	874448	1	• Ring	
13	874707	1	• Gasket	
14	874708	1	Mounting kit	Black D=85mm
15	874449	1	• Attaching ring	
16	874447	1	• Ring	
17	874706	1	• Gasket	
18	874733	1	Mounting kit	Chrome D=52mm
19	874450	1	• Attaching ring	
20	874731	1	• Ring	
21	874707	1	• Gasket	
22	874732	1	Mounting kit	Chrome D=85mm
23	874449	1	• Attaching ring	
24	874730	1	• Ring	
25	874706	1	• Gasket	
26	881611	1	Brace kit	Black D=52mm
27	881607	1	• Brace	
28	881610	2	• Nut	
29	881609	2	• Stud	
30	874707	1	• Gasket	
31	874448	1	• Ring	
32	881612	1	Brace kit	Black D=85mm
33	881608	1	• Brace	
34	881610	2	• Nut	
35	881609	2	• Stud	
36	874706	1	• Gasket	
37	874447	1	• Ring	

D12D-A MH, D12D-B MH, D12D-C MH, D12D-E MH, D12D-G MH, D12C-A MP, D12D-A MP, D12D-B MP, D12D-C MP, D12D-D MP, D12D-E MP, D12D-F MP

REF	PART NO.	QTY	DESCRIPTION	NOTES
38	881613	1	Brace kit	Chrome D=52mm
39	881607	1	· Brace	
40	881610	2	· Nut	
41	881609	2	· Stud	
42	874707	1	· Gasket	
43	874731	1	· Ring	
44	881614	1	Brace kit	Chrome D=85mm
45	881608	1	· Brace	
46	881610	2	· Nut	
47	881609	2	· Stud	
48	874706	1	· Gasket	
49	874730	1	· Ring	
50	874843	1	X-ring, sealing	For flush mounting., D=52mm
51	874844	1	X-ring, sealing	For flush mounting., D=85mm
52	874759	1	Extension cable verl, instrument	L=1000mm
53	3808852	1	Cable kit, instrument	
54	3817974	1	Alarm	(828587)
55	858795	1	Protecting casing	