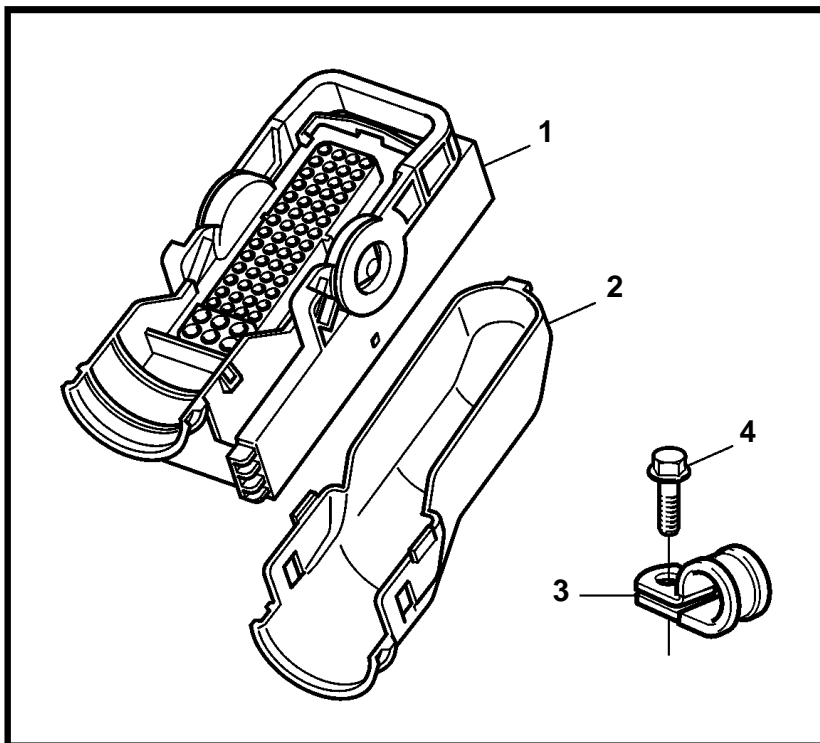
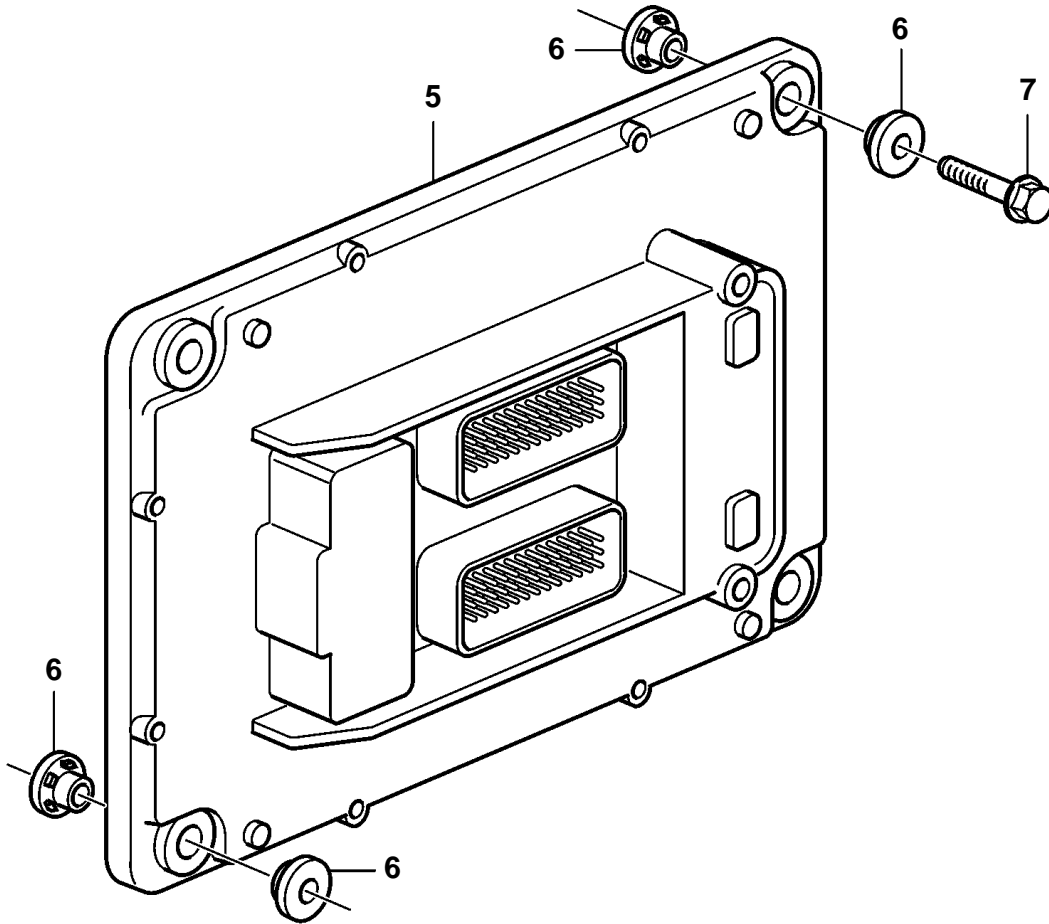


D12D-B MP, D12D-D MP



D12D-B MP, D12D-D MP

| REF | PART NO. | QTY | DESCRIPTION | NOTES |
|-----|----------|-----|------------------------------|---|
| 1 | 20429842 | 1 | Housing | Black |
| | 20429843 | 1 | Housing | gray |
| 2 | 20429844 | 1 | Adapter | |
| 3 | 949997 | 2 | Clamp | |
| 4 | 946440 | 2 | Flange screw | |
| 5 | 20814594 | 1 | Control unit, not programmed | (24425461) |
| | 3586269 | 1 | Software | Warehouse programming. This p/n can not be ordered, but will be used for invoicing. |
| | 3586268 | 1 | Software | Vodia-programming. This p/n can not be ordered, but will be used for invoicing. |
| 6 | 3095161 | 4 | · Rubber cushion | |
| 7 | 947760 | 4 | Flange screw | |