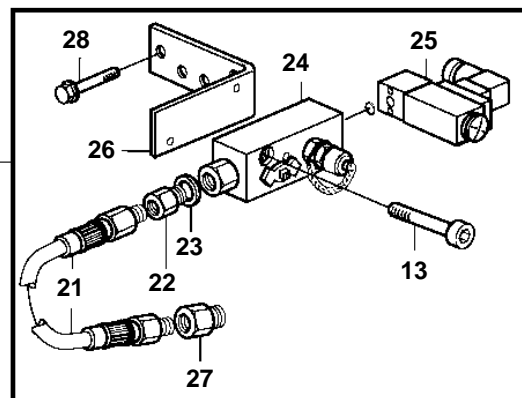
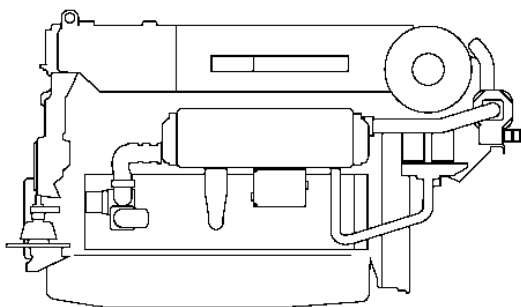
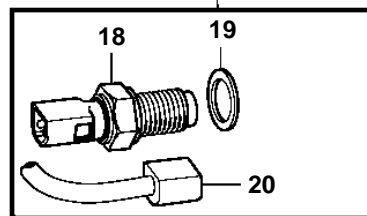
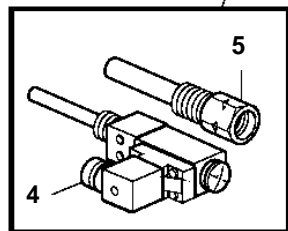
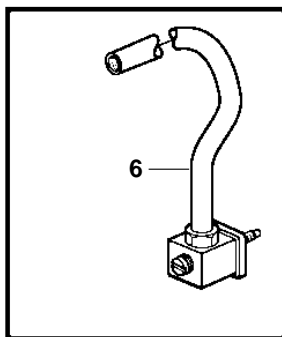
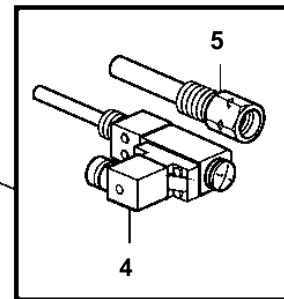
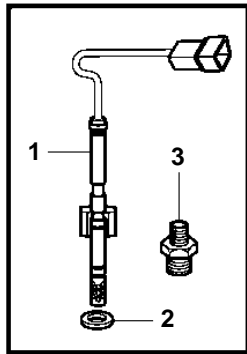
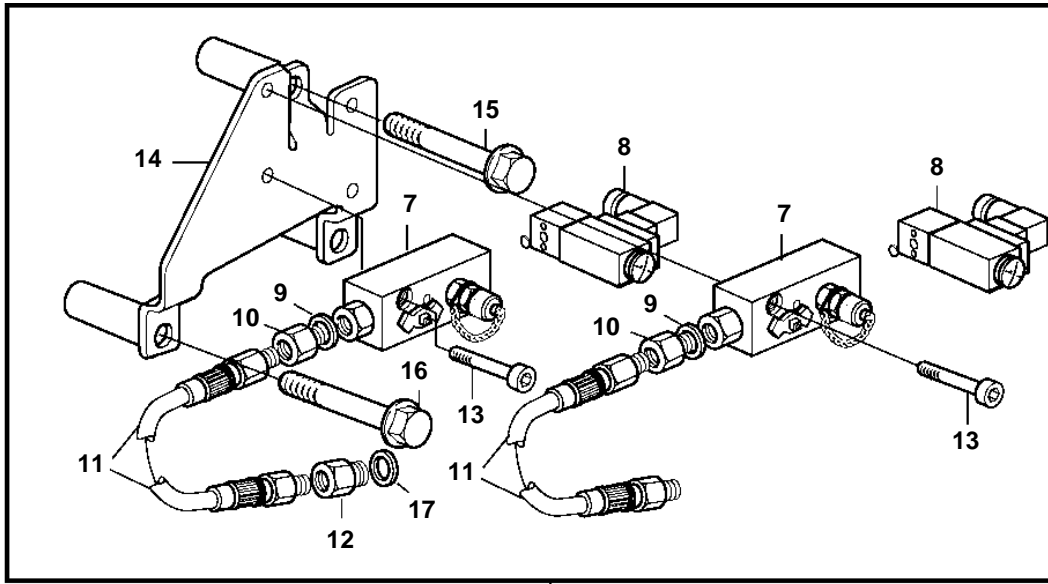


D12D-B MH, D12D-C MH, D12D-A MP, D12D-C MP



D12D-B MH, D12D-C MH, D12D-A MP, D12D-C MP

REF	PART NO.	QTY	DESCRIPTION	NOTES
1	874330	1	Temperature sensor, exhaust	
2	947626	1	Gasket	
3	874318	1	Fitting	
4	881869	2	Thermo monitor, coolant water/oil temp.	
5	873715	2	Sleeve	
6	3588563	2	Wiring harness	L=2,0m, Extension cable for sensors, shut down., (881879)
	3588561	3	Wiring harness	L=1,0m, Extension cable for sensors, shut down.
7	3831442	2	Block	
8	881871	2	Pressure monitor, coolant water/oilpressure	0-4bar
9	18817	2	Gasket	
10	957030	2	Nipple	
11	3835281	2	Oil hose	
12	16381	1	Reduction nipple	
13	947671	6	Hex. socket screw	
14	3832416	1	Bracket	
15	965217	1	Flange screw	L=65mm
16	965182	2	Flange screw	L=80mm
17	11998	1	Gasket	
18	862251	1	Tachometer sensor	
19	948884	1	Gasket	
20	3819589	1	Wiring harness	
21	3835380	1	Hose	
22	957030	1	Nipple	
23	18817	1	Gasket	
24	3831442	1	Block	
25	889629	1	Pressure monitor, oil pressure-reverse gear	5-30bar
26	3832972	1	Bracket	EARLY TYPE
	3887725	1	Bracket	LATE TYPE
27	991057	1	Nipple	
28	945444	2	Flange screw	