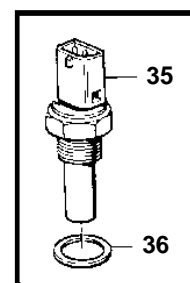
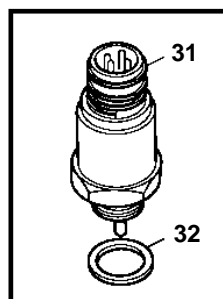
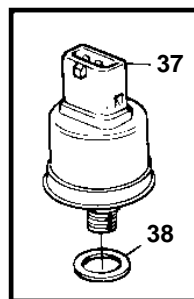
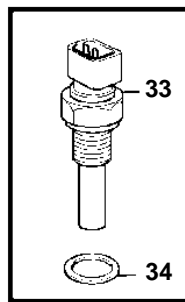
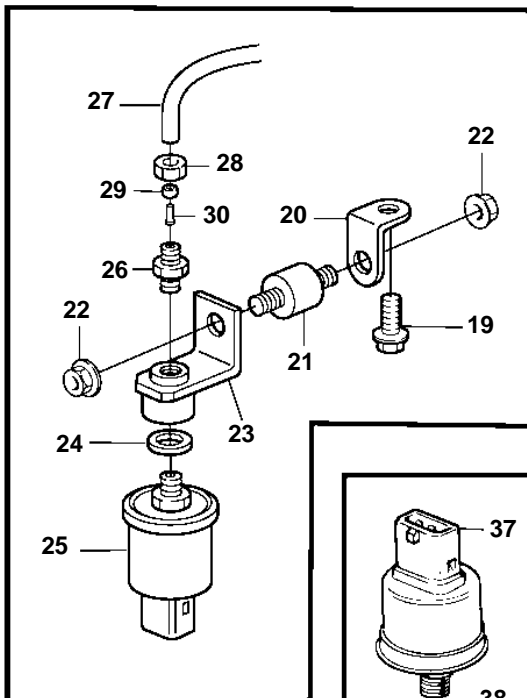
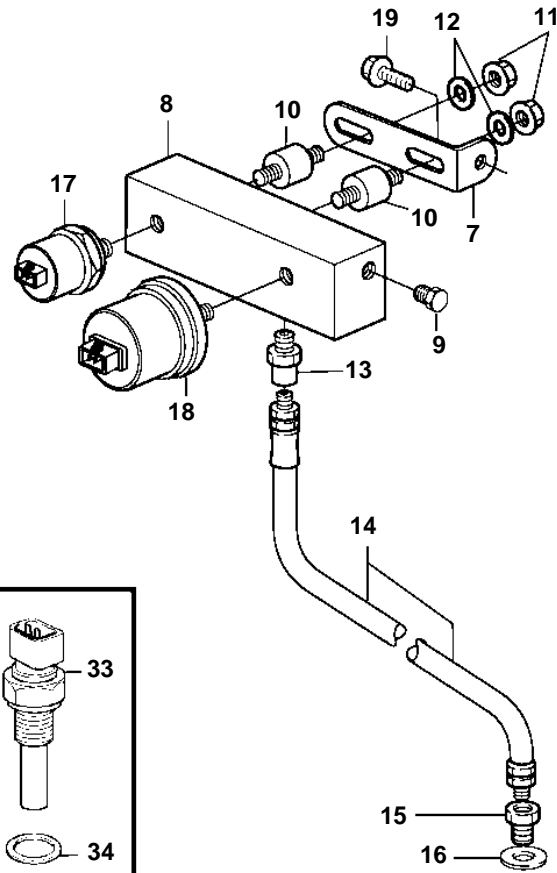
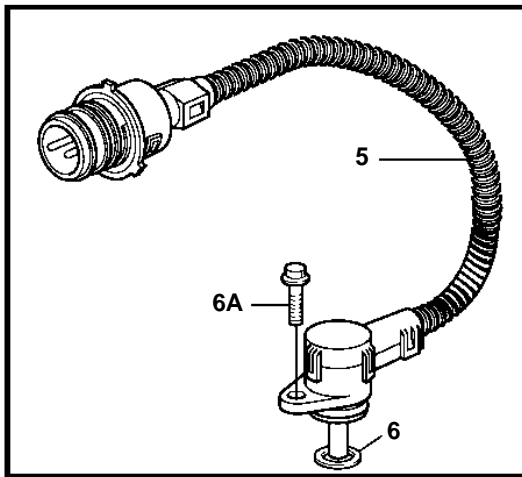
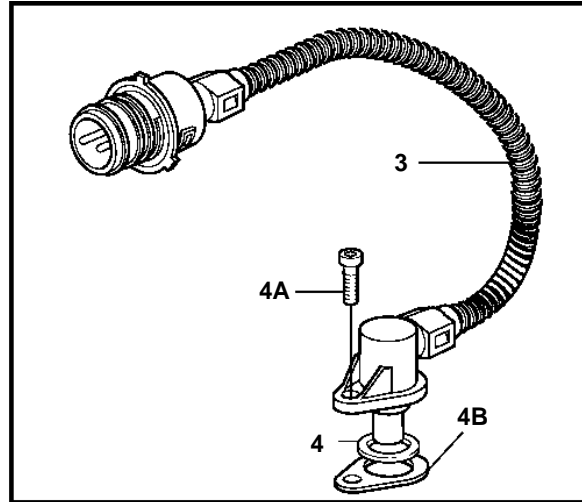
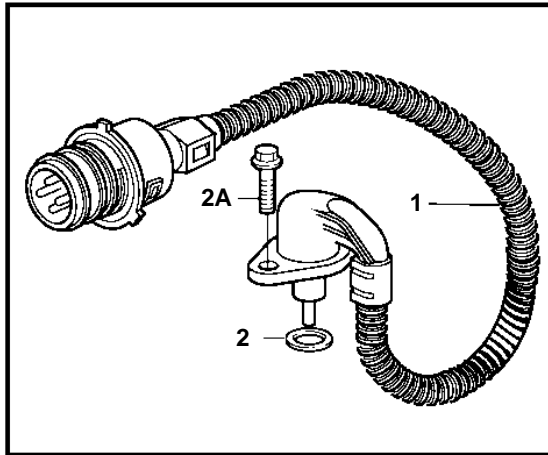


D12D-A MH, D12C-A MP



19747

D12D-A MH, D12C-A MP

REF	PART NO.	QTY	DESCRIPTION	SEE SEC.	NOTES
1	20909613	1	Sensor		Charge air temp and pressure., For electronic control unit., (3172524)
2	975632	1	• O-ring		
2A	946544	2	Flange screw		
3	3172774	2	Tachometer sensor		Camshaft and Flywheel sender., For electronic control unit.
4	974673	1	• O-ring		
4A	940326	2	Hex. socket screw		
4B	1677894	1	Shim		TH = 0,6mm
5	20576626	1	Sensor, coolant water		For electronic control unit., (3944123)
6	949656	1	• O-ring		
6A	946440	1	Flange screw		
7	965558	1	Bracket		
8	866704	1	Bracket		
9	479979	1	Plug		
10	3574797	2	Vibration damper		
11	949278	2	Flange lock nut		
12	976943	2	Washer		
13	180009	1	Nipple		
14	1507501	1	Hose assembly		
15	947899	1	Reduction nipple		
16	947084	1	Gasket		
17	863169	1	Pressure monitor, oil-engine		
18	866835	1	Sensor, oil-engine		
			• Bulletin P-38-6-1	P-38-6-1-EN	Vibration Damping Kit
18	866836	1	Sensor, oil-engine		For double instruments.
19	946671	1	Flange screw		
20	965552	1	Bracket		
21	863415	1	Rubber cushion		
22	945408	1	Flange nut		
23	843698	1	Bracket		
24	947624	1	Gasket		
25	866837	1	Sensor, turbo		
26	954378	2	Nipple		
27	945460	X	Tube		L=1200mm
28	954356	2	Fitting nut		
29	954364	2	Sleeve		
30	944717	2	Support sleeve		
31	1077574	2	Sensor		Pressure and temperature sender for engine oil and piston cooling.
32	968559	1	• O-ring		
33	862154	1	Temperature sensor, coolant water		
	862567	1	Temperature sensor, coolant water		For double instruments.
34	976931	1	Gasket		
35	862251	1	Tachometer sensor		
36	948884	1	Gasket		
37	866839	1	Sensor, oil pressure-reverse gear		
38	976931	1	Gasket		