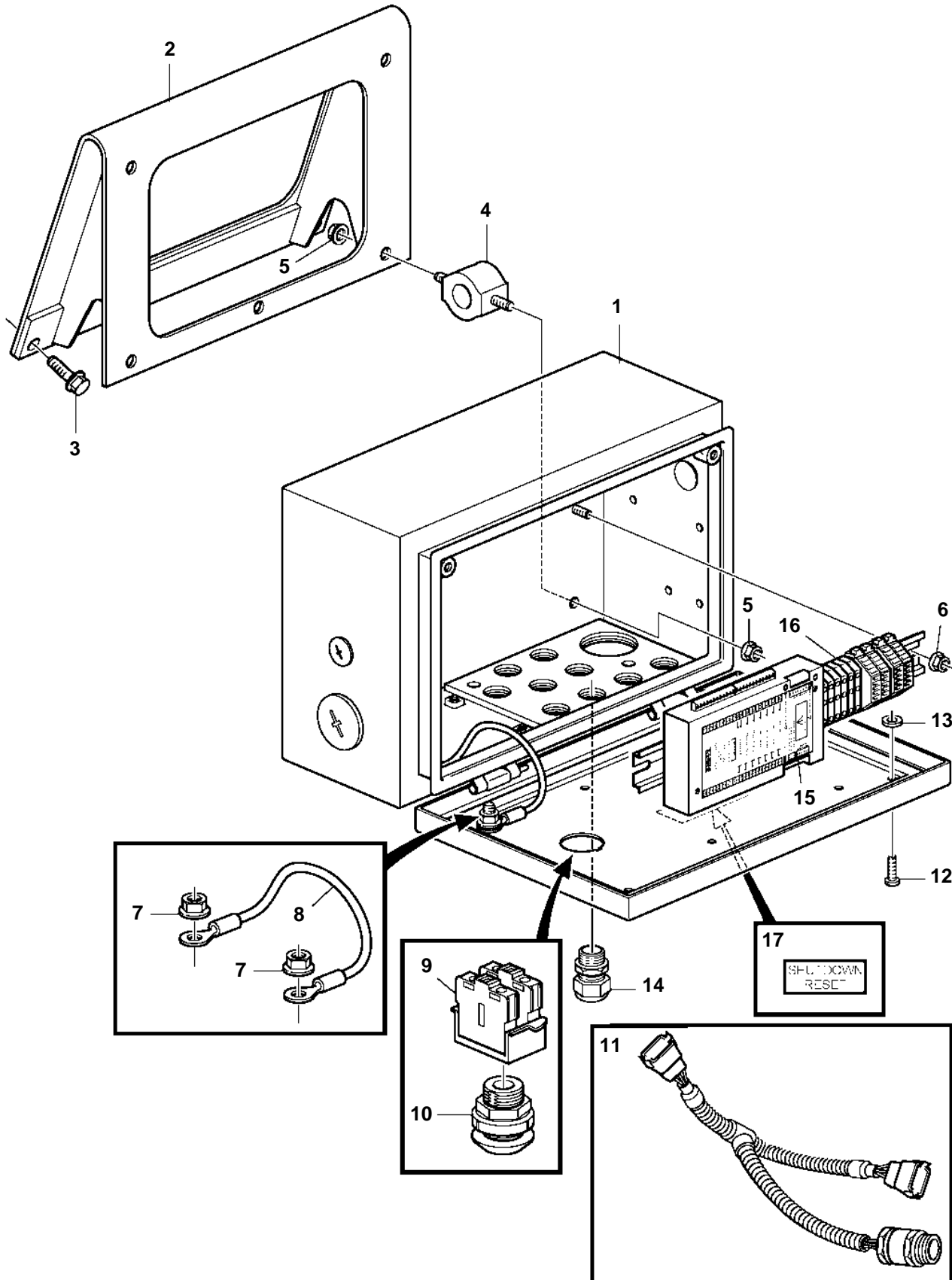


D12D-C MH



D12D-C MH

REF	PART NO.	QTY	DESCRIPTION
1	3841323	1	Electrical distribut
2	3832497	1	Bracket
3	946441	2	Flange screw
4	3839156	4	Rubber cushion
5	945407	8	Flange nut
6	965483	2	Flange nut
7	945408	2	Flange nut
8		X	Ground cable
9	3817574	1	Contact unit
10	3817578	1	Push button
11	881630	1	Cable kit
12		2	Screw
13		2	Washer
14	3847827	X	Cable union
	3883134	X	Cable union
15		1	Electronic unit
16	888003	1	Terminal block
17	3586456	1	Label