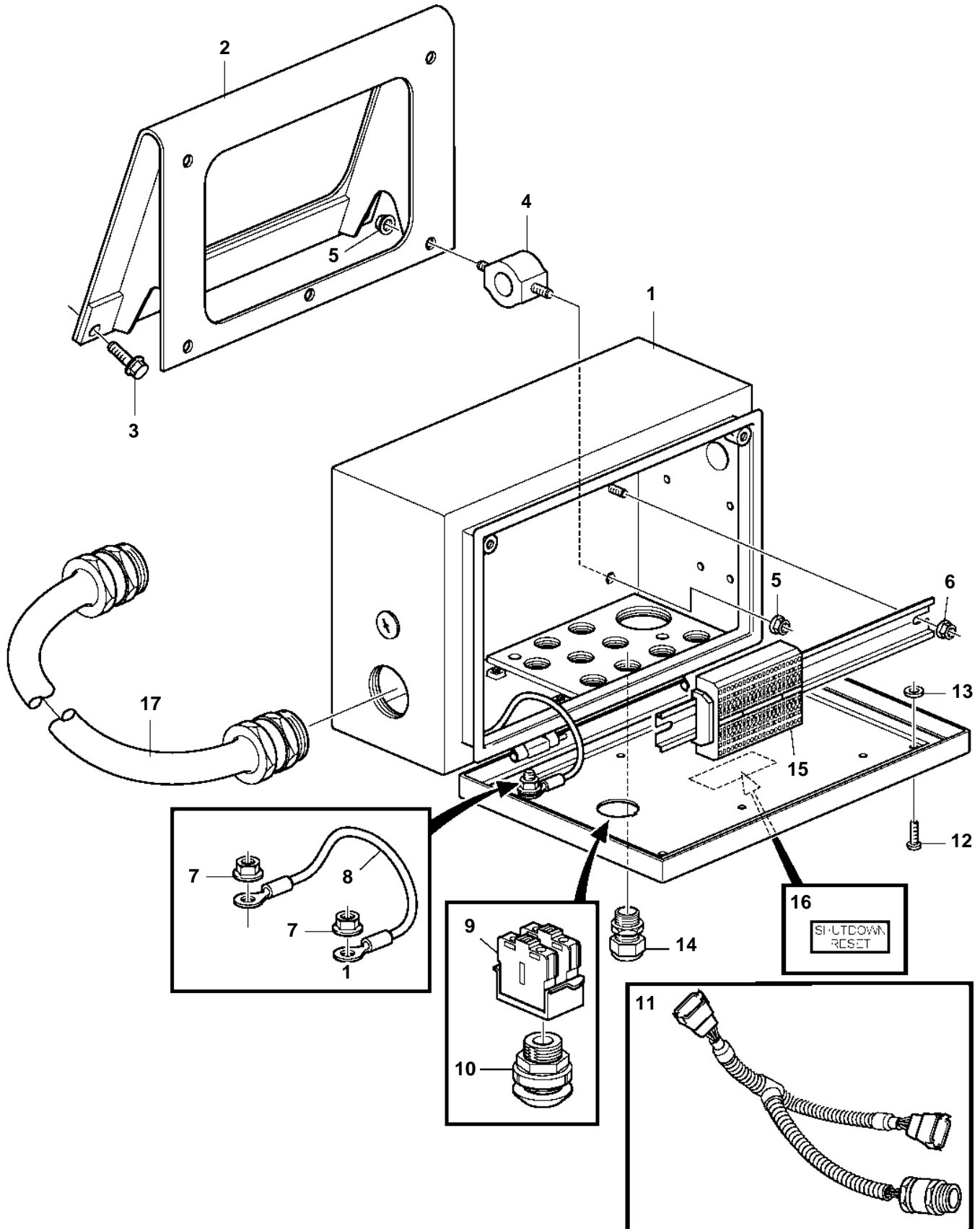


D12D-C MH



23701

D12D-C MH

REF	PART NO.	QTY	DESCRIPTION	NOTES
1	3841323	1	Electrical distribut	
2	3832497	1	Bracket	
3	946441	2	Flange screw	
4	3839156	4	Rubber cushion	
5	945407	8	Flange nut	
6	965483	2	Flange nut	
7	945408	2	Flange nut	
8		1	Ground cable	
9	3817575	1	Contact unit	
10	3817578	1	Push button	
11	881630	1	Cable kit	
12		2	Screw	M6x22
13		2	Washer	Washer with rubber gasket.
14	3883134	X	Cable union	
	3847827	X	Cable union	
15	3818926	1	Electronic unit	
16	3586456	1	Label	
17	3818484	1	Wiring harness	