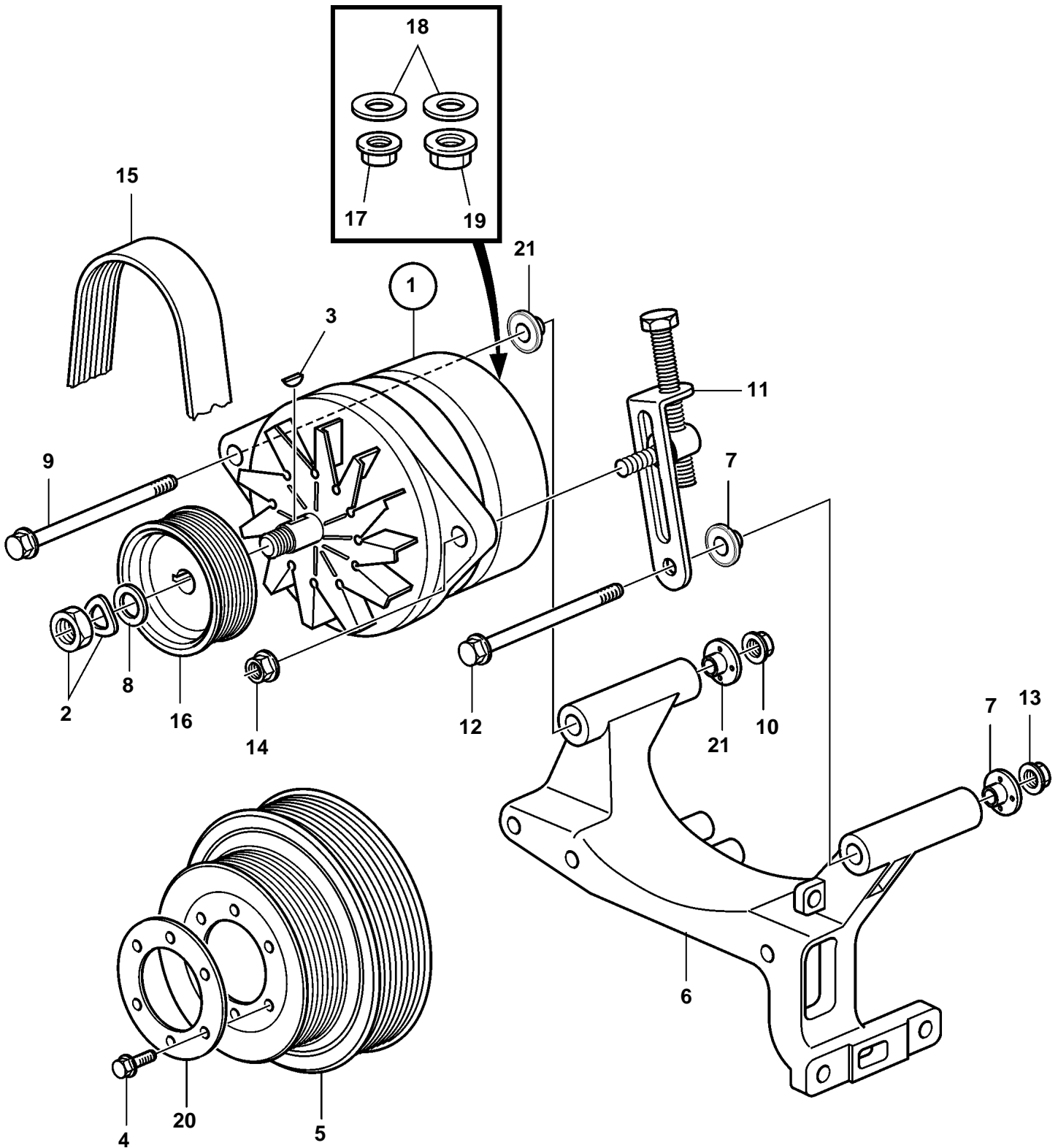


D12D-A MH, D12D-B MH, D12D-C MH, D12C-A MP, D12D-A MP, D12D-C MP



23663

D12D-A MH, D12D-B MH, D12D-C MH, D12C-A MP, D12D-A MP, D12D-C MP

REF	PART NO.	QTY	DESCRIPTION	SEE SEC.	NOTES
1	873986	1	Alternator		28V 60A
	3803496	1	Alternator, exch, exch		28V 60A
				4394	
2		1	· Mounting kit		
3		1	· Wedge		
4	945444	6	Flange screw		
5	1546482	1	Pulley		
6	3808013	1	Bracket		
7	3589388	2	Insulating bushing		
8	1675544	1	Spacer washer		
9	979935	1	Flange screw		
10	971096	1	Flange nut		
11	1676586	1	Tensioner		
12	965184	1	Flange screw		
13	945408	1	Flange nut		
14	971095	1	Flange nut		
15	978217	1	V-ribbed belt		
16	1636242	1	Pulley		
17	945407	1	Flange nut		M6,B-
18	941906	1	Spring washer		B-
	941907	1	Spring washer		B+
19	945408	1	Flange nut		M8,B-
20	3979500	1	Washer		
21	3589369	2	Insulating bushing		