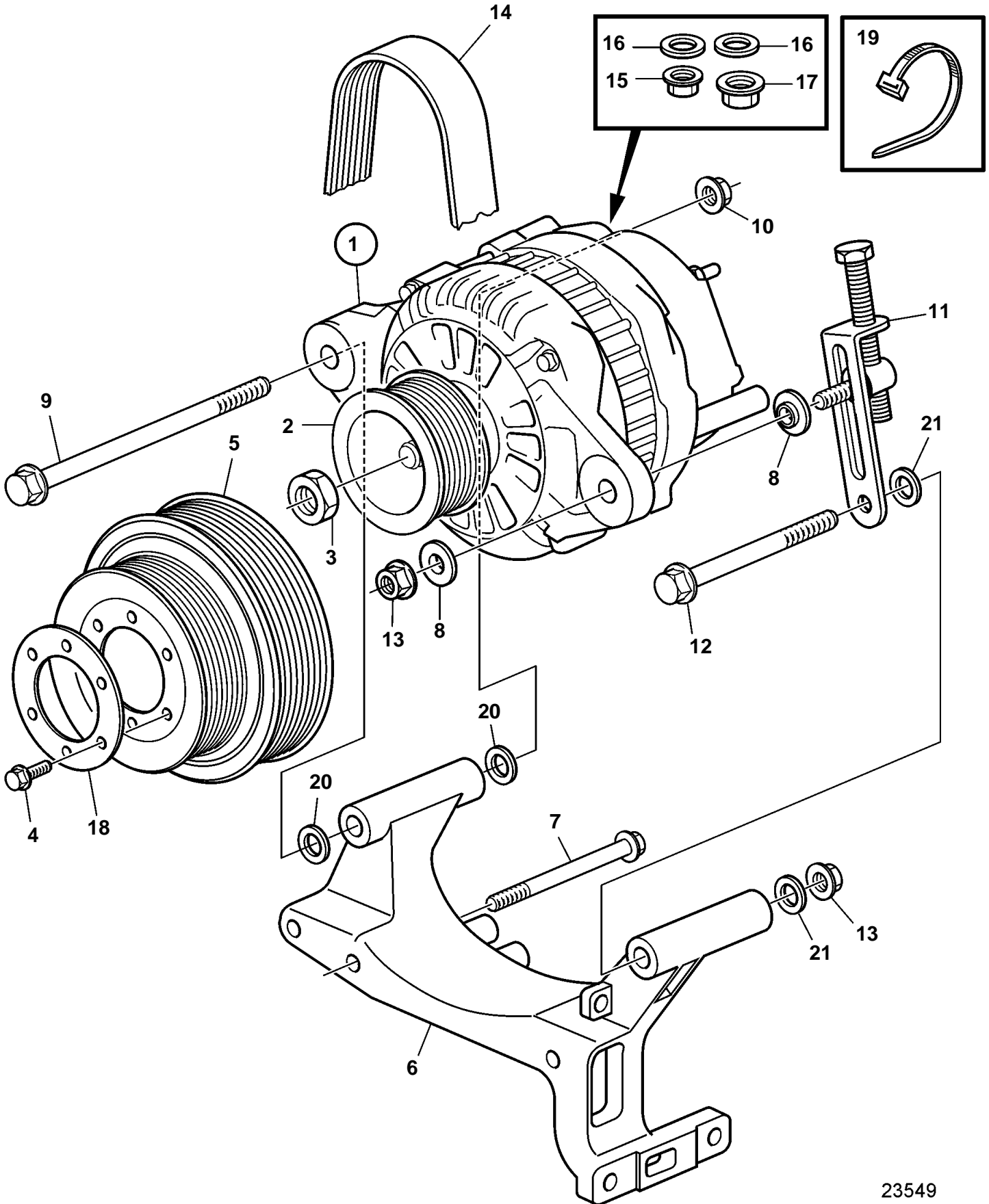


D12D-B MP, D12D-D MP



23549

D12D-B MP, D12D-D MP

REF	PART NO.	QTY	DESCRIPTION	SEE SEC.	NOTES
1	3803845	1	Alternator, exch		28V 80A
				8811	
2	3840291	1	· Pulley		
3	3818955	1	· Nut set		
4	945444	6	Flange screw		
5	1546482	1	Pulley		
6	3808013	1	Bracket		
7	947790	3	Flange screw		
8	3589369	2	Insulating bushing		
9	979935	1	Flange screw		
10	971096	1	Flange nut		
11	1676586	1	Tensioner		
12	965184	1	Flange screw		
13	945408	2	Flange nut		
14	978217	1	V-ribbed belt		
15	945407	1	Flange nut		M6,B-
16	941906	1	Spring washer		B-
	941907	1	Spring washer		B+
17	945408	1	Flange nut		M8,B-
18	3979500	1	Washer		
19	948211	X	Cable tie		
20	3589388	2	Insulating bushing		
21	3589388	2	Insulating bushing		