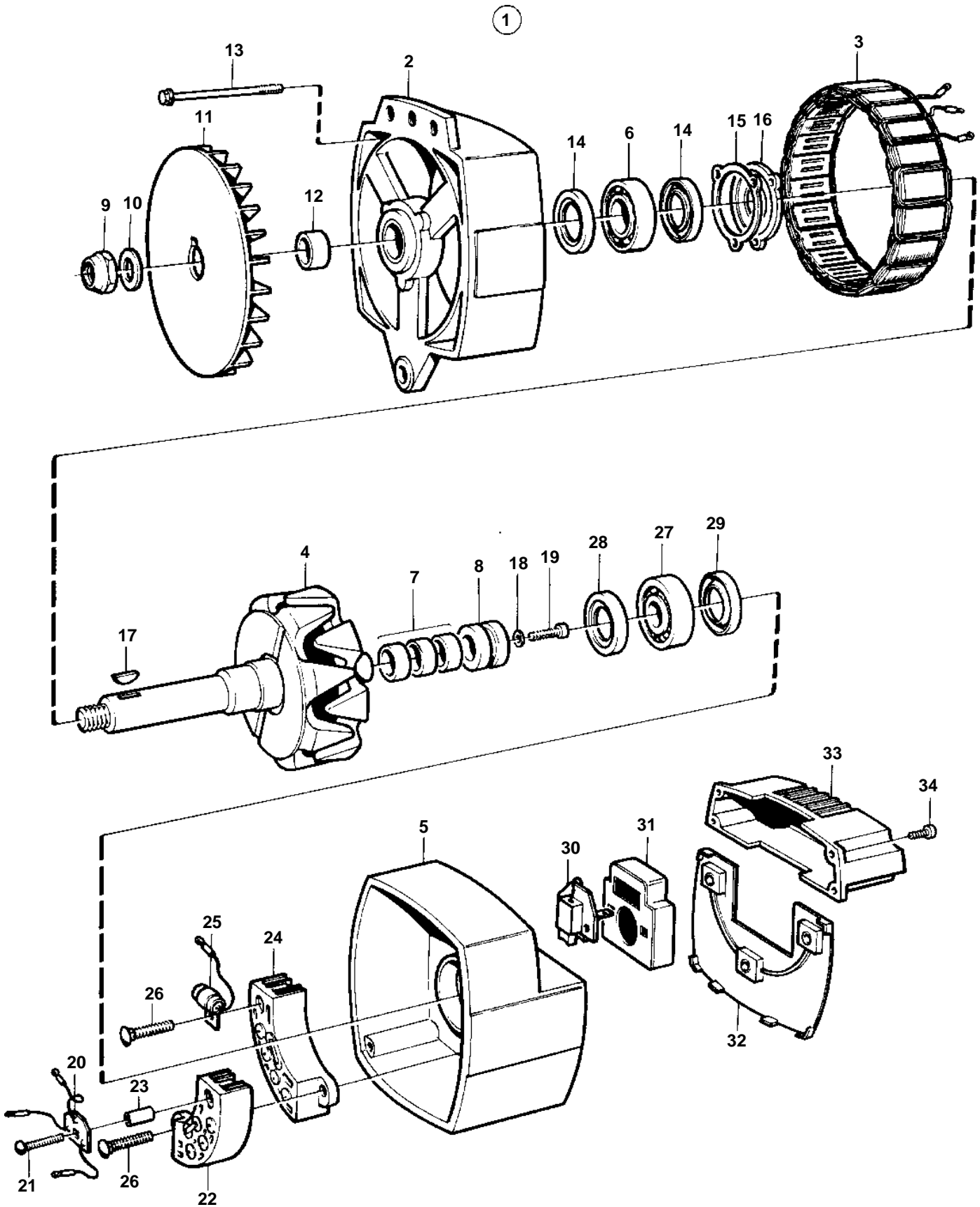


D12D-A MH, D12D-B MH, D12D-C MH, D12D-E MH, D12D-G MH, D12C-A MP, D12D-A MP, D12D-B MP, D12D-C MP, D12D-D MP, D12D-E MP, D12D-F MP



8659

D12D-A MH, D12D-B MH, D12D-C MH, D12D-E MH, D12D-G MH, D12C-A MP, D12D-A MP, D12D-B MP, D12D-C MP, D12D-D MP, D12D-E MP, D12D-F MP

REF	PART NO.	QTY	DESCRIPTION	NOTES
1	849748	1	Alternator	For 24 voltage electric system., 28V, 100A
	3803499	1	Alternator, exch, exch	For 24 voltage electric system., 28V, 100A
2		1	· End plate	
3		1	· Stator	
4		1	· Rotor	
5		1	· End plate	
6	862509	1	· Bearing	
7	862510	1	· Bearing	
8	862511	1	· Slip ring	
9		1	· Nut	
10		1	· Washer	
11		1	· Fan	
12		1	· Spacer	
13		4	· Screw	
14		1	· Sealing	
15	862521	1	· Retainer	
16		1	· Retainer	
17		1	· Wedge	
18		2	· Washer	
19		1	· Screw	
20		1	· Diode	
21		1	· Screw	
22	862513	1	· Rectifier plate	POS
23		1	· Sleeve	
24	862514	1	· Rectifier plate	NEG
25		1	· Kit	
26		2	· Screw	
27	862516	1	· Bearing	
28		1	· Seal	
29		1	· Seal	
30	862517	1	· Brush set	
31		1	· Cover	
32		1	· Insulator	
33	862526	1	· Charge regulator	
34		2	· Screw	