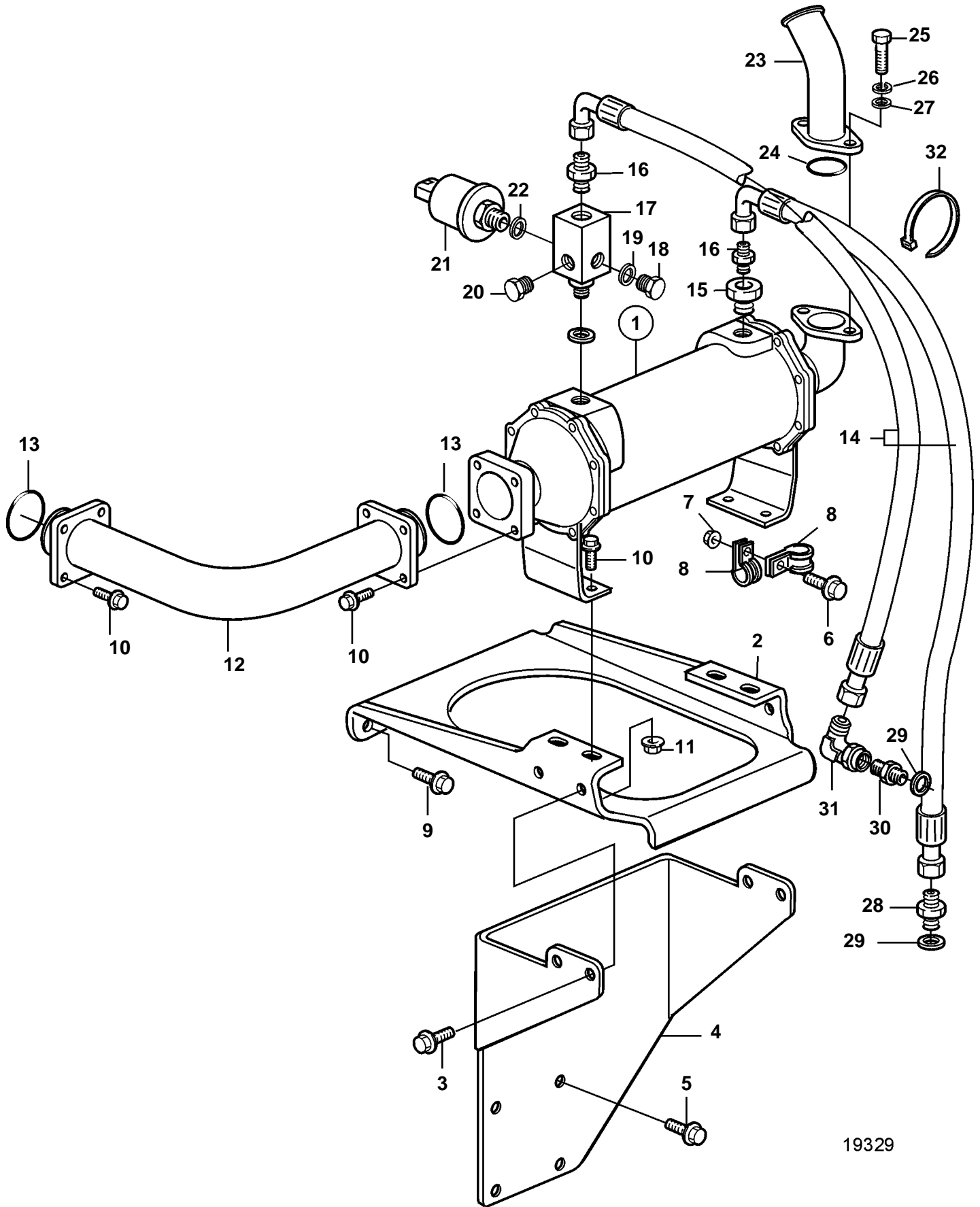


D12C-A MP, D12D-A MP, D12D-B MP



19329

D12C-A MP, D12D-A MP, D12D-B MP

REF	PART NO.	QTY	DESCRIPTION	SEE SEC.	NOTES
1		1	Oil cooler		
				4377	
2	3830510	1	Bracket		
3	945444	4	Flange screw		
4	3838267	1	Bracket		
5		4	Flange screw		Existing screws on reverse gear are used.
6	946173	1	Flange screw		
7	945408	1	Flange nut		
8	945081	2	Clamp		
9	965185	2	Flange screw		
10	946173	12	Flange screw		
11	945408	4	Flange nut		
12	3830105	1	Water pipe		
13	843584	2	Gasket		
14	3828843	2	Hose		
15	949707	1	Reduction nipple		
16	981303	2	Nipple		
17	3834079	1	Nipple		
18	960632	1	Plug		
19	976931	1	Gasket		
20	861551	1	Plug		
21		1	Pressure sensor		SEE GROUP 30
22	948885	1	Gasket		
23	3828777	1	Tube		
24	925092	1	O-ring		
25	940135	2	Hexagon screw		
26	941907	2	Spring washer		
27	191172	2	Washer		
28	941751	1	Nipple		
29	976932	2	Gasket		
30	963953	1	Nipple		
31	964022	1	Elbow nipple		
32	948211	X	Cable tie		