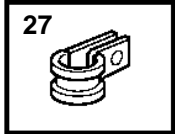
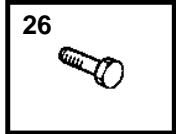
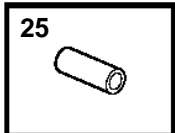
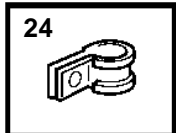
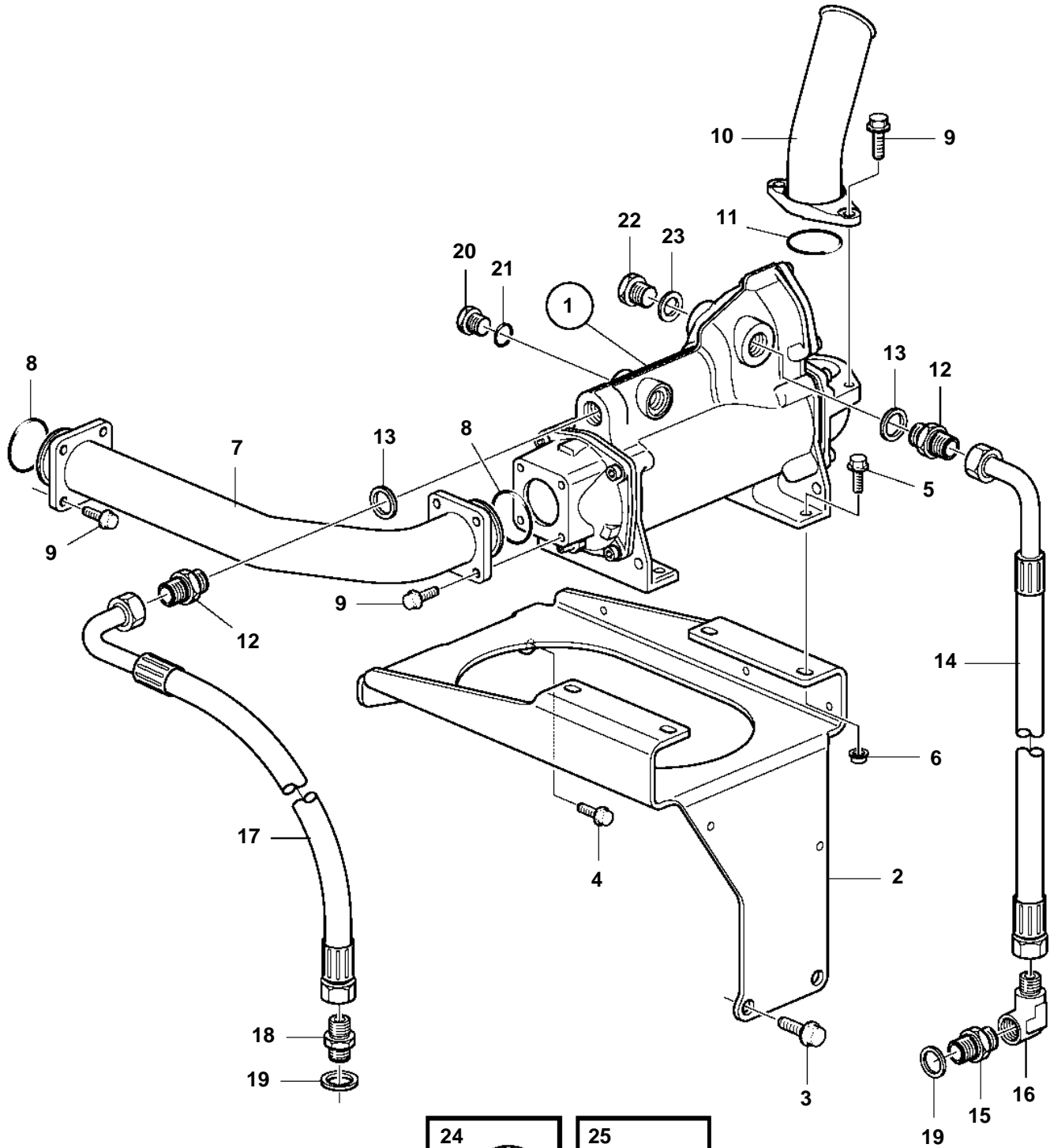


D12D-C MP, D12D-D MP



D12D-C MP, D12D-D MP

REF	PART NO.	QTY	DESCRIPTION	SEE SEC.	NOTES
1		1	Heat exchanger		
				21709	
2	3887364	1	Bracket		
3	965191	2	Flange screw		
4	965185	2	Flange screw		
5	946752	4	Flange screw		
6	971095	4	Flange nut		
7	3887382	1	Tube		
8	843584	2	Gasket		
9	946173	10	Flange screw		
10	3842588	1	Outlet pipe		
11	925092	1	O-ring		
12	984670	2	Nipple		
13	977937	2	Gasket		
14	3588029	1	Hose		L=950mm
15	943986	1	Nipple		
16	946369	1	Elbow nipple		
17	3888653	1	Hose		L=800mm
18	990883	1	Nipple		
19	976932	2	Gasket		
20	968610	1	Plug		
21	968559	1	O-ring		
22	914394	1	Plug		
23	977937	1	Gasket		
24	945081	4	Clamp		
25		1	Spacer sleeve		
26	965181	1	Flange screw		
27	949747	2	Clamp		
28	946173	2	Flange screw		