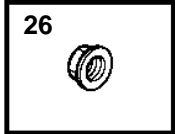
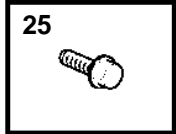
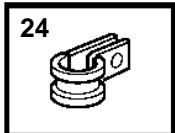
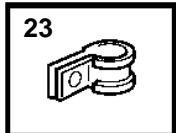
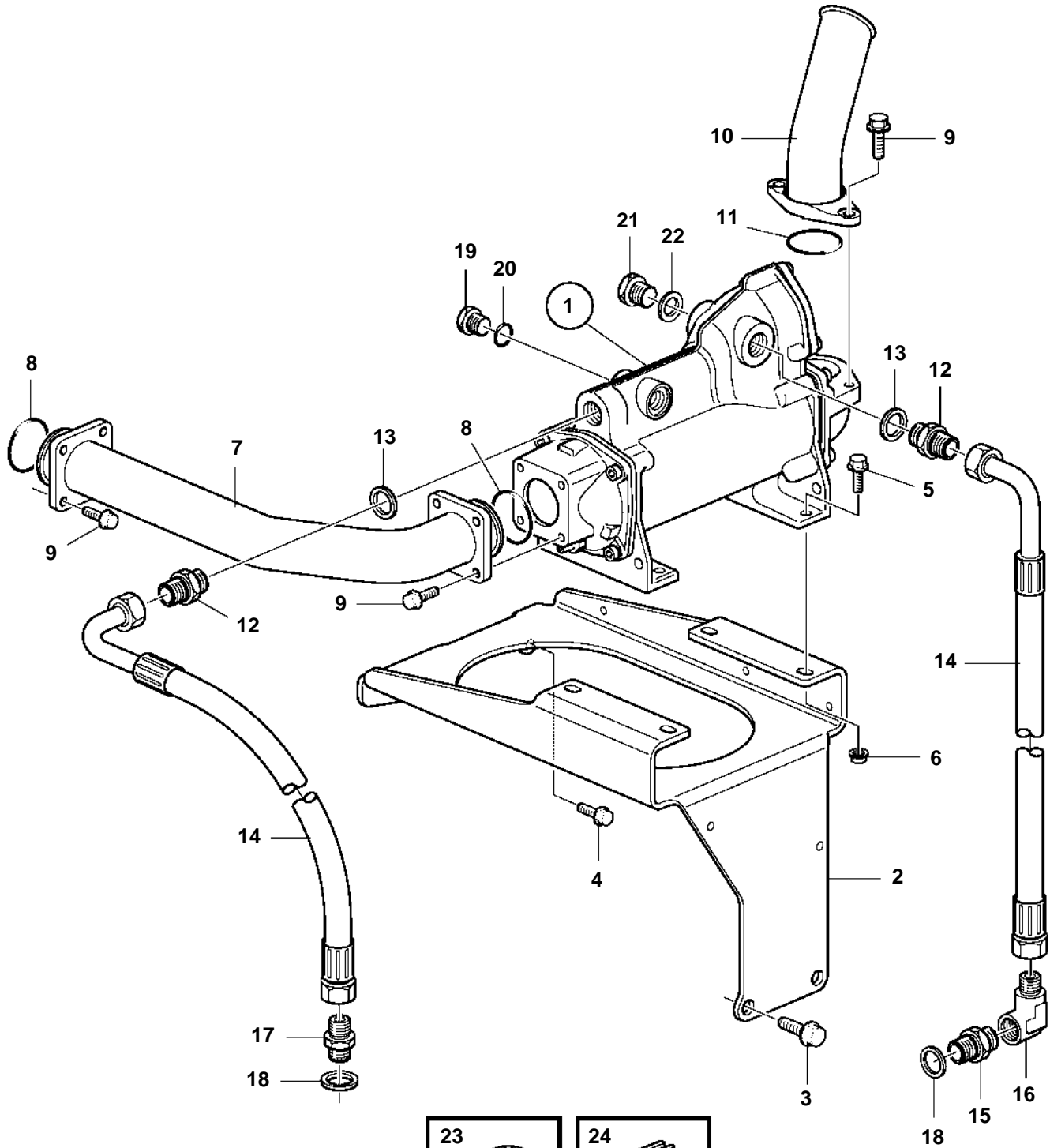


D12D-C MP, D12D-D MP



D12D-C MP, D12D-D MP

REF	PART NO.	QTY	DESCRIPTION	SEE SEC.	NOTES
1		1	Heat exchanger		
				21709	
2	3887364	1	Bracket		
3	965191	2	Flange screw		
4	965185	2	Flange screw		
5	946752	4	Flange screw		
6	971095	4	Flange nut		
7	3887382	1	Tube		
8	843584	2	Gasket		
9	946173	10	Flange screw		
10	3842588	1	Outlet pipe		
11	925092	1	O-ring		
12	984670	2	Nipple		
13	977937	2	Gasket		
14	3888653	2	Hose		L=800mm
15	943986	1	Nipple		
16	946369	1	Elbow nipple		
17	990883	1	Nipple		
18	976932	2	Gasket		
19	968610	1	Plug		
20	968559	1	O-ring		
21	914394	1	Plug		
22	977937	1	Gasket		
23	945081	2	Clamp		
24	949747	3	Clamp		
25	946173	5	Flange screw		
26	945408	1	Flange nut		