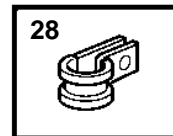
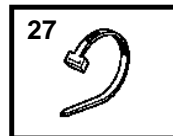
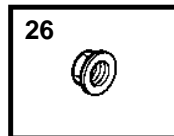
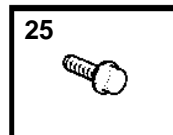
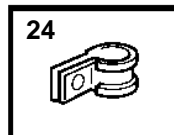
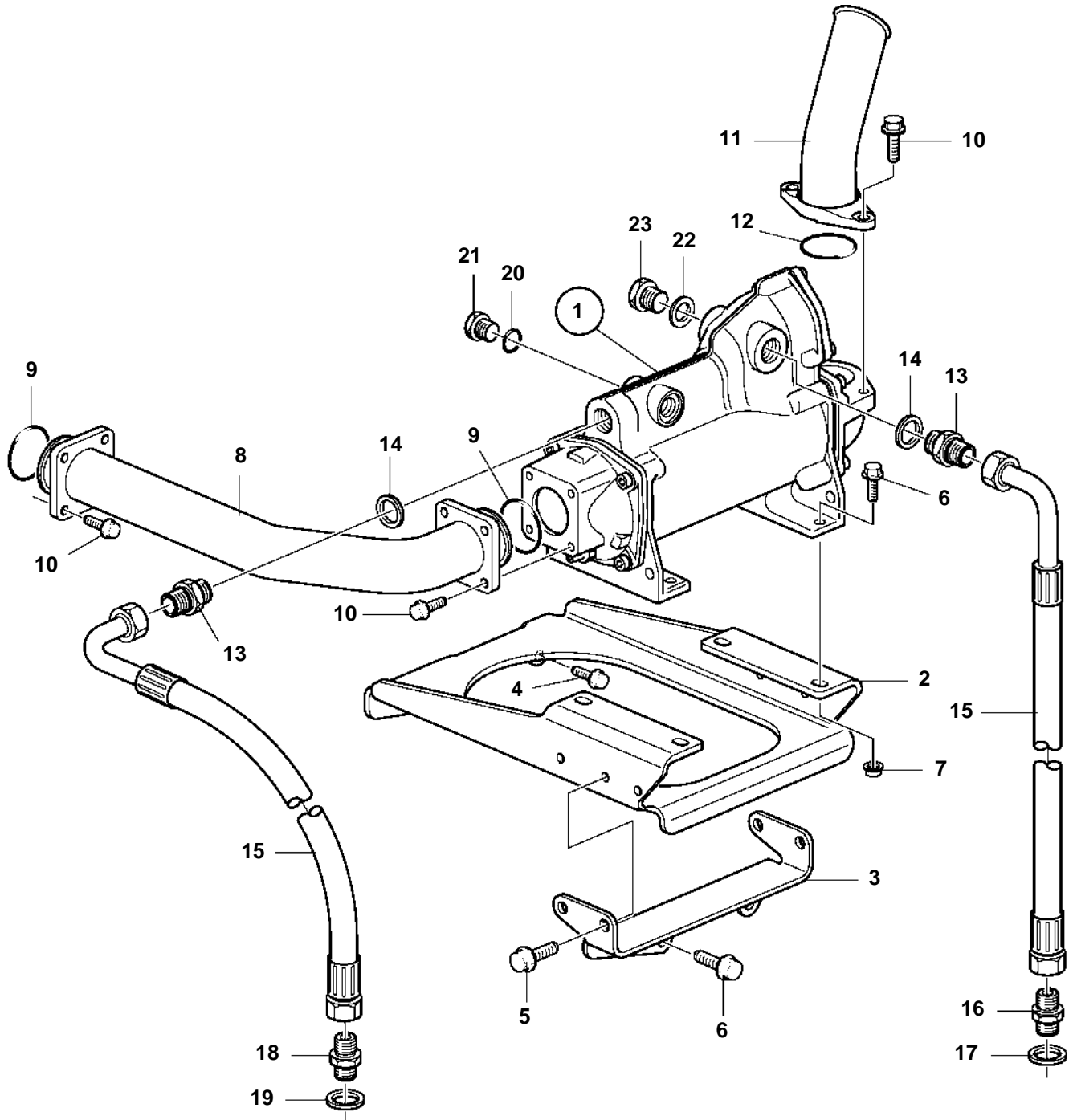


D12D-D MP



D12D-D MP

REF	PART NO.	QTY	DESCRIPTION	SEE SEC.	NOTES
1		1	Heat exchanger		
				21709	
2	3887366	1	Bracket		
3	3819602	1	Bracket		
4	965185	2	Flange screw		
5	946173	4	Flange screw		
6	946752	6	Flange screw		
7	971095	4	Flange nut		
8	3887382	1	Tube		
9	843584	2	Gasket		
10	946173	10	Flange screw		
11	3842588	1	Outlet pipe		
12	925092	1	O-ring		
13	984670	2	Nipple		
14	977937	2	Gasket		
15	3588801	2	Hose		L=570mm
16	943986	1	Nipple		
17	976932	1	Gasket		
18	984669	1	Nipple		
19	976930	1	Gasket		
20	968559	1	O-ring		
21	968610	1	Plug		
22	977937	1	Gasket		
23	914394	1	Plug		
24	945081	2	Clamp		
25	946173	1	Flange screw		
26	945408	1	Flange nut		
27	948616	1	Cable tie		
28	949747	1	Clamp		