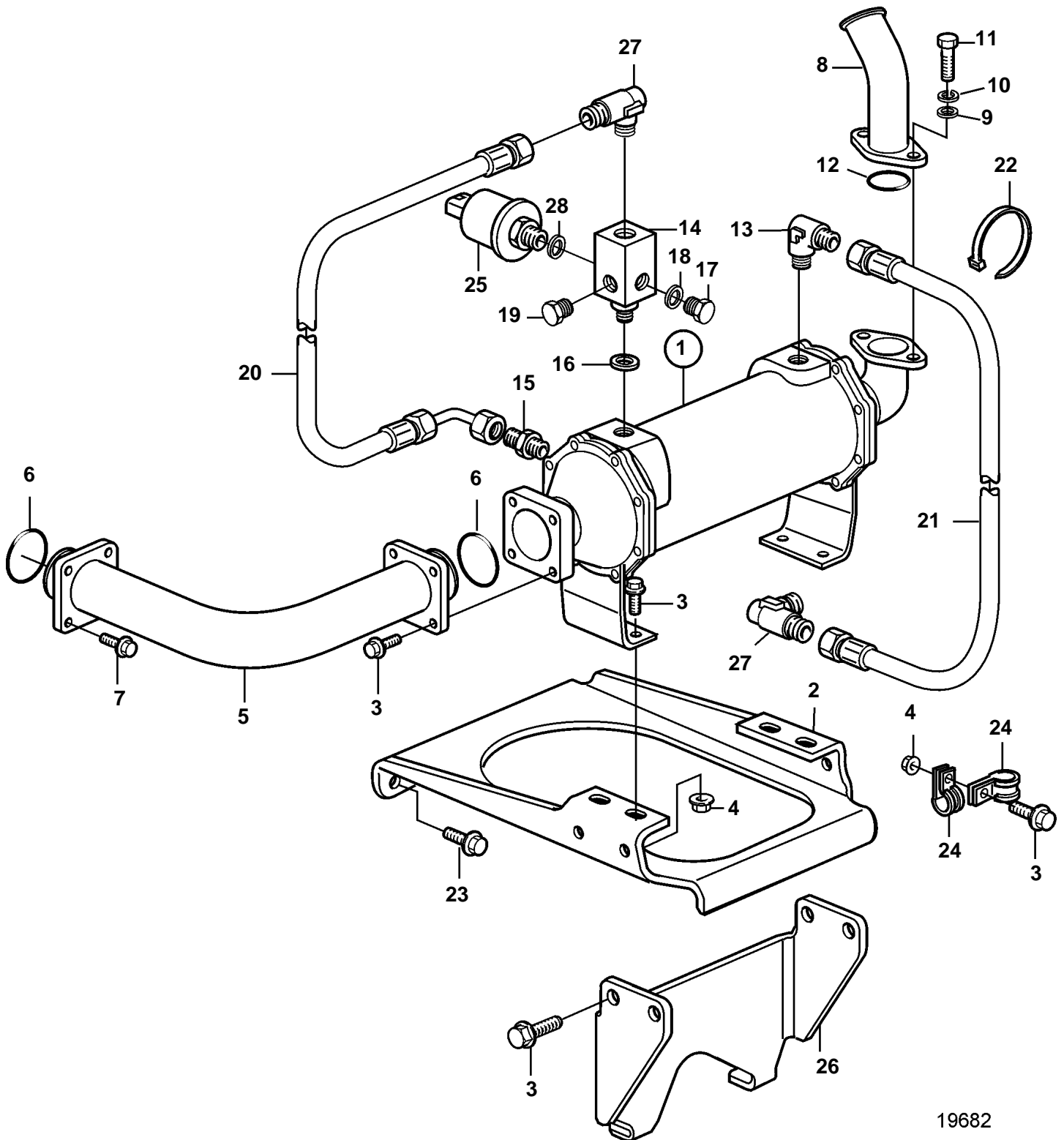


D12D-A MH, D12D-B MH, D12C-A MP, D12D-A MP



19682

D12D-A MH, D12D-B MH, D12C-A MP, D12D-A MP

REF	PART NO.	QTY	DESCRIPTION	SEE SEC.	NOTES
1		1	Oil cooler		
				4377	
2	3830510	1	Bracket		
3	946173	13	Flange screw		
4	945408	5	Flange nut		
5	3830105	1	Water pipe		
6	843584	2	Gasket		
7	946173	4	Flange screw		
	947760	4	Flange screw		For engines in with keel cooling.
8	3828777	1	Tube		
9	191172	2	Washer		
10	941907	2	Spring washer		
11	940135	2	Hexagon screw		
12	925092	1	O-ring		
13	824479	1	Elbow union		
14	3834079	1	Nipple		
15	981303	1	Nipple		
16	948885	1	Gasket		
17	960632	1	Plug		
18	976931	1	Gasket		
19	861551	2	Plug		
20	3835802	1	Oil hose		
21	848351	1	Hose		
22	948211	1	Cable tie		
23	965185	2	Flange screw		
24	952637	2	Clamp		
25		1	Pressure sensor		SEE GROUP 30
26	3831422	1	Bracket		
27	837063	2	Elbow union		
28	976931	1	Gasket		