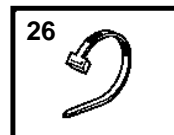
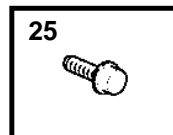
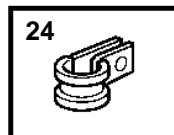
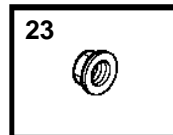
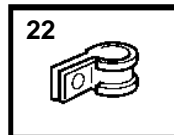
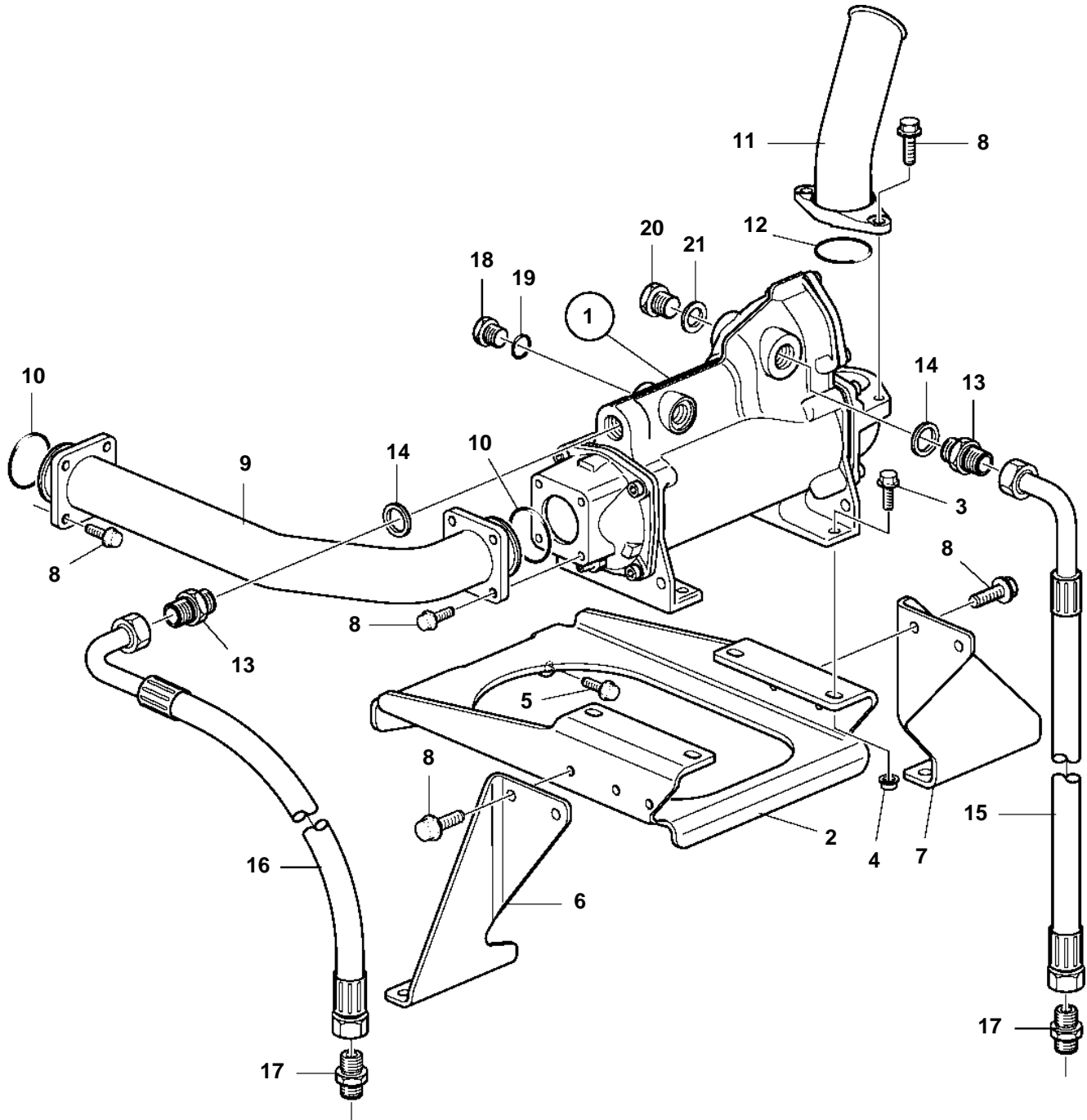


D12D-C MH



D12D-C MH

REF	PART NO.	QTY	DESCRIPTION	SEE SEC.	NOTES
1		1	Heat exchanger		
				21709	
2	3887366	1	Bracket		
3	946752	4	Flange screw		
4	971095	4	Flange nut		
5	965185	2	Flange screw		
6	3837734	1	Bracket, right		
7	3837733	1	Bracket, left		
8	946173	14	Flange screw		
9	3887382	1	Tube		
10	843584	2	Gasket		
11	3842588	1	Outlet pipe		
12	925092	1	O-ring		
13	984670	2	Nipple		
14	977937	2	Gasket		
15	3888653	1	Hose		L=800mm
16	3588801	1	Hose		L=570mm
17	3817365	2	Nipple		
18	968610	1	Plug		
19	968559	1	O-ring		
20	914394	1	Plug		
21	977937	1	Gasket		
22	945081	1	Clamp		
23	945408	1	Flange nut		
24	949747	2	Clamp		
25	946173	2	Flange screw		
26	948211	1	Cable tie		