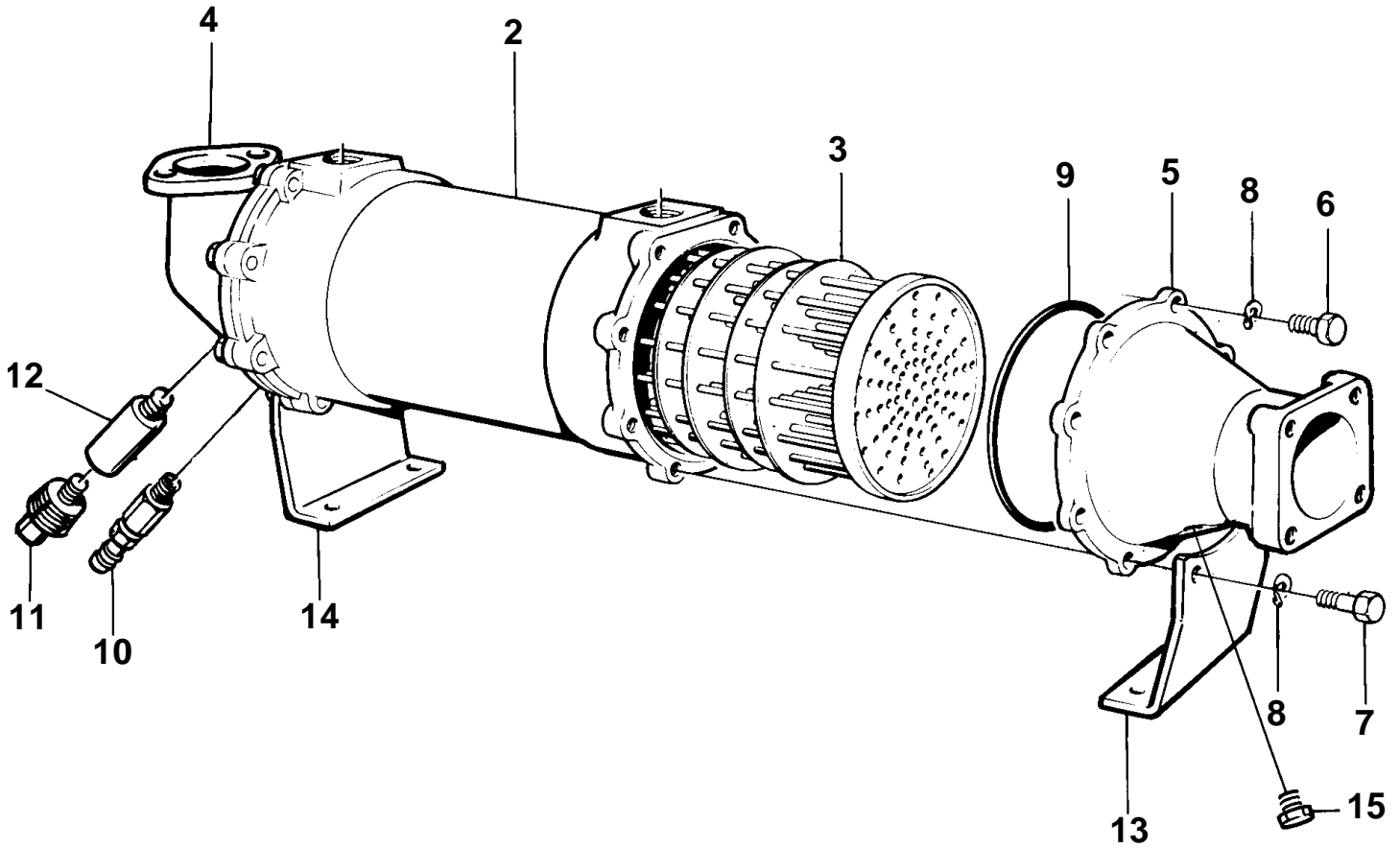


D12C-A MP, D12D-A MP, D12D-B MP

1



16792

D12C-A MP, D12D-A MP, D12D-B MP

REF	PART NO.	QTY	DESCRIPTION
1		1	Oil cooler
2	849618	1	· Housing
3	3825932	1	· Insert
4	843567	1	· End cover
5	3826210	1	· End cover
6	955514	12	· Hexagon screw
7	940117	4	· Hexagon screw
8	941906	16	· Spring washer
9	925027	2	· O-ring
10	949918	1	· Shut-off cock
11	838928	2	· Plug
12	838929	2	· Electrode
13		1	· Base
14		1	· Base
15	861551	1	· Plug