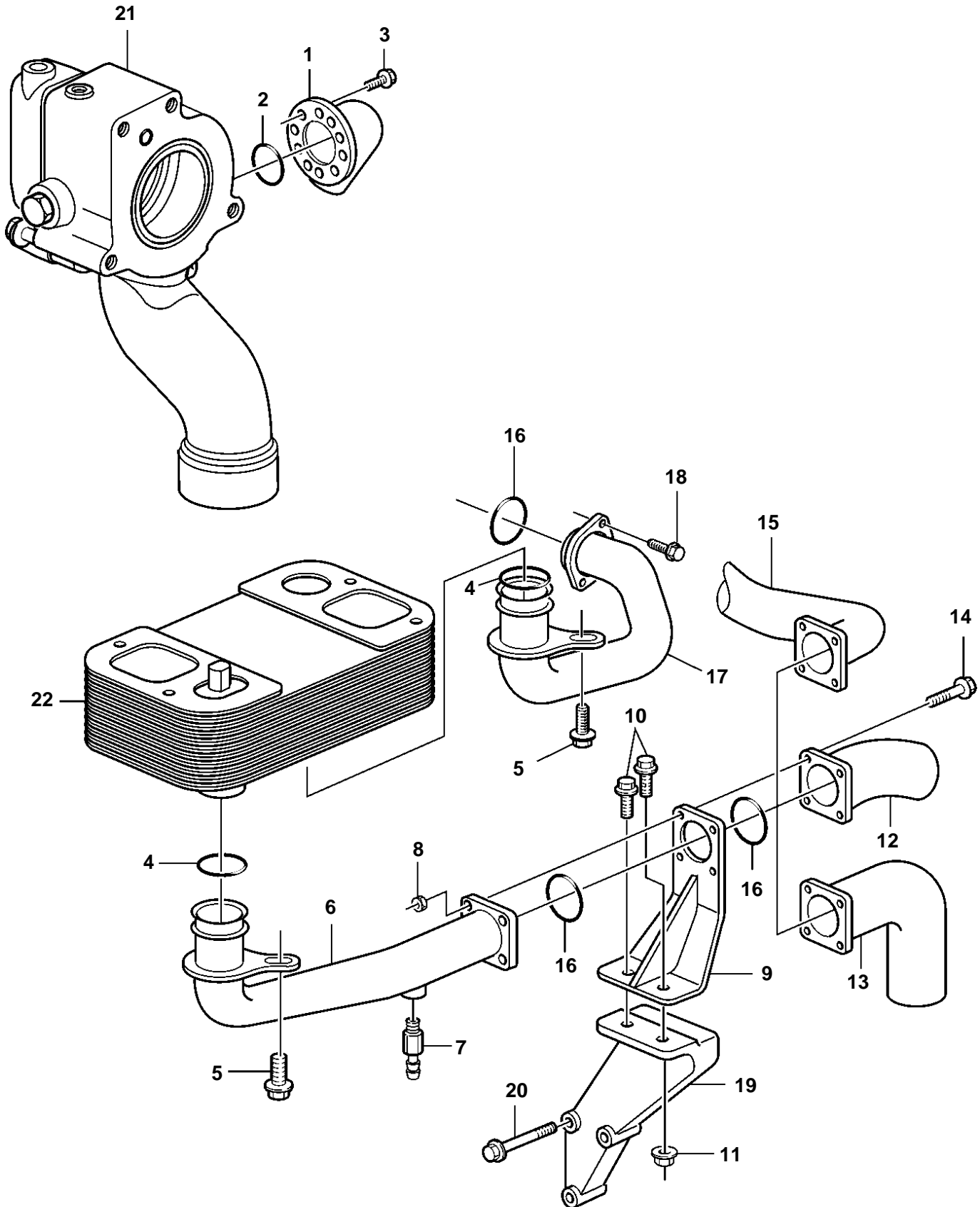


D12D-A MH, D12D-B MH, D12D-C MH, D12C-A MP, D12D-A MP, D12D-C MP



D12D-A MH, D12D-B MH, D12D-C MH, D12C-A MP, D12D-A MP, D12D-C MP

REF	PART NO.	QTY	DESCRIPTION	SEE SEC.	NOTES
1	3828881	1	Hose connection		
2	925069	1	O-ring		
3	946173	2	Flange screw		
4	1547253	2	Sealing ring		
5	948217	1	Flange screw		
6	3830521	1	Coolant pipe		
7	949918	1	Shut-off cock		
8	945408	4	Flange nut		
9	3830736	1	Bracket		
10	965185	2	Flange screw		
11	971095	2	Flange nut		
12	3830257	1	Riser		ALT 30°
13	3830255	1	Riser		ALT 90°
14	947760	4	Flange screw		
15		1	Water pipe, oil cooler-rev.gear		See oil cooler for reversing gear, group 26.
16	843584	3	Gasket		
17	3832829	1	Coolant pipe		
18	945444	2	Flange screw		
19	865376	1	Bracket		
20	965188	3	Flange screw		
21		1	Thermostat housing		
				4313	EARLY TYPE
		1	Thermostat housing		
				8085	LATE TYPE
22		1	Intercooler		
				5669	