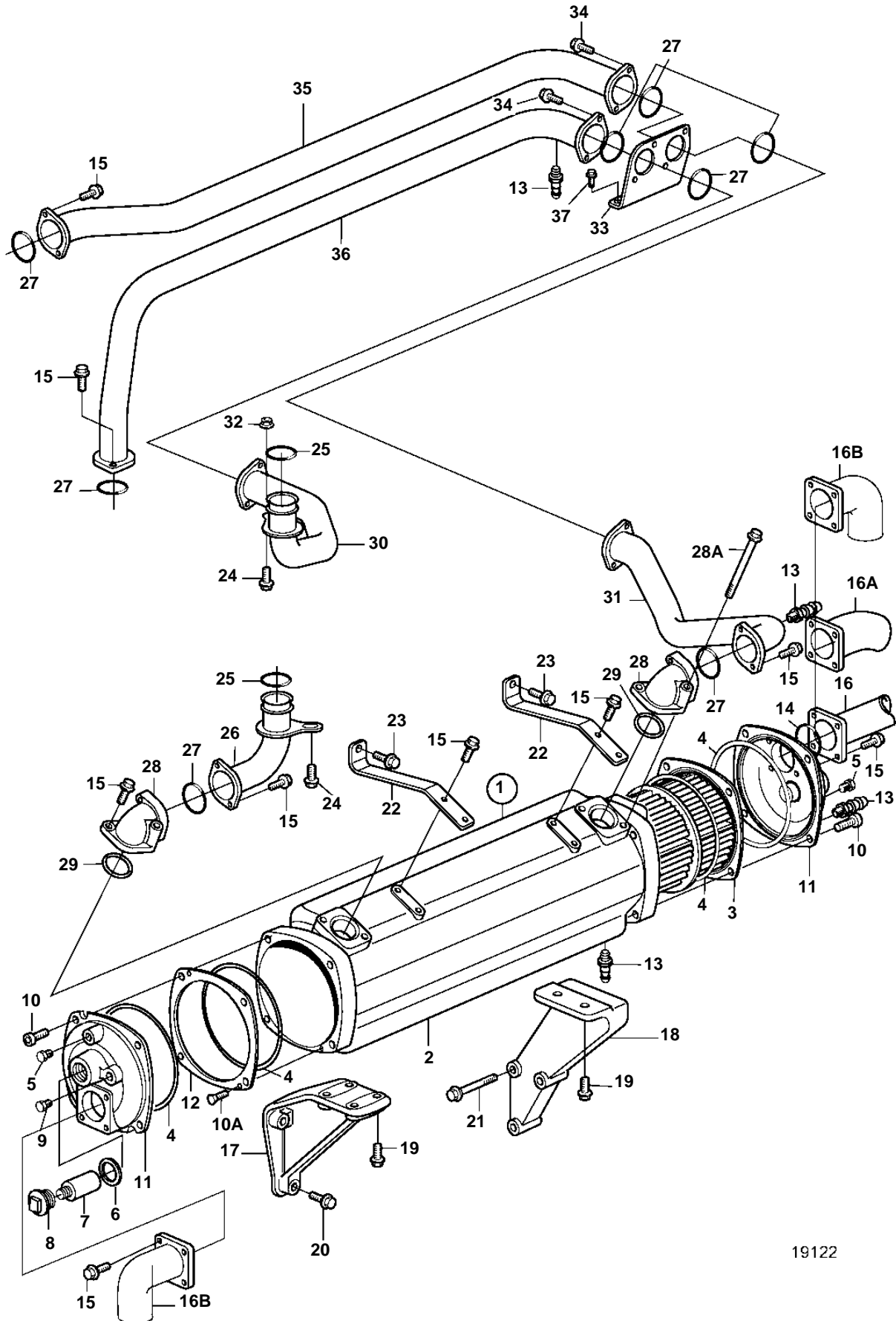


D12D-A MH, D12D-B MH, D12C-A MP, D12D-A MP



19122

D12D-A MH, D12D-B MH, D12C-A MP, D12D-A MP

| REF | PART NO. | QTY | DESCRIPTION | NOTES |
|-----|----------|-----|---------------------------------|--|
| 1 | | 1 | Heat exchanger | EARLY TYPE |
| 2 | 3827954 | 1 | • Heat exchanger | (3830698) |
| 3 | 3830696 | 1 | • Insert | |
| 4 | 3826783 | 4 | • O-ring | |
| 5 | 982364 | 2 | • Plug | |
| 6 | 836169 | 2 | • Gasket | |
| 7 | 823661 | 2 | • Zinc anode | |
| 8 | 823662 | 2 | • Plug | |
| 9 | 982363 | 1 | • Plug | |
| 10 | 959224 | 8 | • Hex. socket screw | L=35mm |
| 10A | 942001 | 4 | • Hex. socket screw | L=16mm |
| 11 | 3830697 | 2 | • End plate | |
| 12 | 3830694 | 1 | • Spacer | |
| 13 | 949918 | 4 | Shut-off cock | |
| 14 | 843584 | 1 | Gasket | |
| 15 | 946173 | 18 | Flange screw | |
| 16 | | 1 | Water pipe, oil cooler-rev.gear | See oil cooler for reversing gear, group 26. |
| 16A | 3830257 | 1 | Riser, hose connecting | ALT 30° |
| 16B | 3830255 | X | Riser, hose connecting | ALT 90° |
| 17 | | 1 | Bracket | |
| 18 | 865376 | 1 | Bracket | |
| 19 | 946752 | 6 | Flange screw | |
| 20 | 965220 | 3 | Flange screw | |
| 21 | 965188 | 3 | Flange screw | |
| 22 | 3827441 | 2 | Bracket | |
| 23 | 965217 | 2 | Flange screw | |
| 24 | 948217 | 2 | Flange screw | |
| 25 | 1547253 | 2 | Sealing ring | |
| 26 | 865930 | 1 | Coolant pipe, intercooler | |
| 27 | 864491 | 8 | Gasket | |
| 28 | 865821 | 2 | Pipe connection | |
| 28A | 965180 | 2 | Flange screw | |
| 29 | 925069 | 2 | O-ring | |
| 30 | 3832829 | 1 | Coolant pipe, intercooler | |
| 31 | 3832856 | 1 | Coolant pipe | |
| 32 | 948645 | 1 | Flange lock nut | |
| 33 | 3832830 | 1 | Bracket | |
| 34 | 945444 | 4 | Flange screw | |
| 35 | 3832833 | 1 | Coolant pipe, therm. housing | |
| 36 | 3837473 | 1 | Coolant pipe, circulation pump | |
| 37 | 946471 | 2 | Flange screw | |