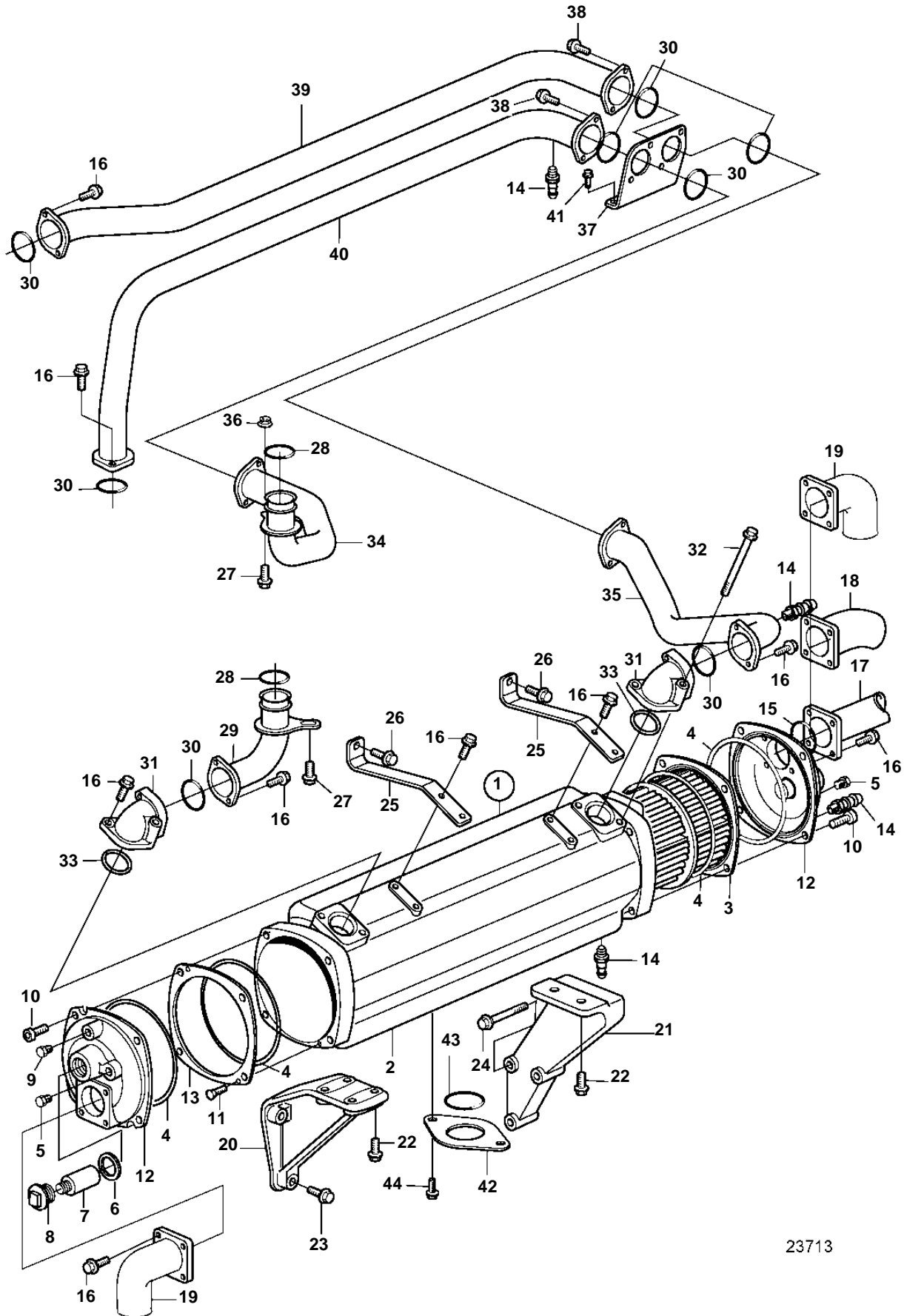


D12D-C MH, D12D-C MP



23713

D12D-C MH, D12D-C MP

REF	PART NO.	QTY	DESCRIPTION	NOTES
1	3843533	1	Heat exchanger	LATE TYPE
2		1	• Heat exchanger housi	
3	3830696	1	• Insert	
4	3826783	4	• O-ring	
5	982364	2	• Plug	
6	836169	2	• Gasket	
7	823661	2	• Zinc anode	
8	823662	2	• Plug	
9	982363	1	• Plug	
10	959224	8	• Hex. socket screw	L=35mm
11	942001	4	• Hex. socket screw	L=16mm
12	3830697	2	• End plate	
13	3830694	1	• Spacer	
14	949918	4	Shut-off cock	
15	843584	1	Gasket	
16	946173	18	Flange screw	
17		1	Water pipe, oil cooler-rev.gear	See oil cooler for reversing gear, group 26.
18	3830257	1	Riser, hose connecting	ALT 30°
19	3830255	X	Riser, hose connecting	ALT 90°
20		1	Bracket	
21	865376	1	Bracket	
22	946752	6	Flange screw	
23	965220	3	Flange screw	
24	965188	3	Flange screw	
25	3827441	2	Bracket	
26	965217	2	Flange screw	
27	948217	2	Flange screw	
28	1547253	2	Sealing ring	
29	865930	1	Coolant pipe, intercooler	
30	864491	8	Gasket	
31	865821	2	Pipe connection	
32	965180	2	Flange screw	
33	925069	2	O-ring	
34	3832829	1	Coolant pipe, intercooler	
35	3832856	1	Coolant pipe	
36	948645	1	Flange lock nut	
37	3832830	1	Bracket	
38	945444	4	Flange screw	
39	3832833	1	Coolant pipe, therm. housing	
40	3837473	1	Coolant pipe, circulation pump	
41	946471	2	Flange screw	
42	3827303	1	Cardboard tube	
43	925255	1	O-ring	
44	946173	2	Flange screw	