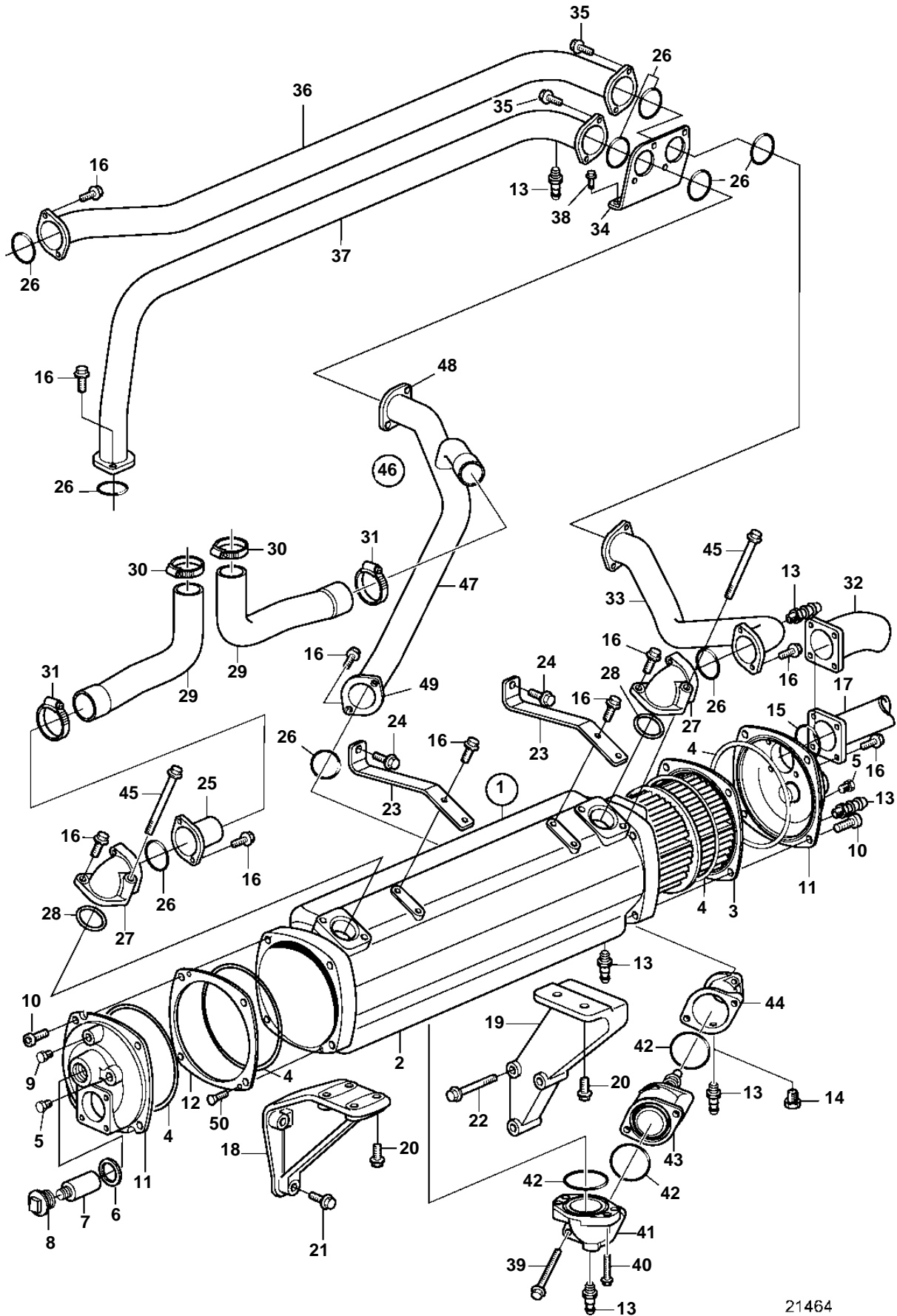


D12D-B MP, D12D-D MP



21464

D12D-B MP, D12D-D MP

REF	PART NO.	QTY	DESCRIPTION	NOTES
1	3807193	1	Heat exchanger	EARLY TYPE
	3843533	1	Heat exchanger	LATE TYPE
2		1	• Heat exchanger housi	EARLY TYPE
		1	• Heat exchanger housi	LATE TYPE
3	3830696	1	• Insert	
4	3826783	4	• O-ring	
5	982364	2	• Plug	
6	836169	2	• Gasket	
7	823661	2	• Zinc anode	
8	823662	2	• Plug	
9	982363	1	• Plug	
10	959224	8	• Hex. socket screw	L=35mm
11	3830697	2	• End plate	
12	3830694	1	• Spacer	
13	949918	6	Shut-off cock	
14	968144	1	Plug	ALT, Used when oil filler is mounted on left side.
15	843584	1	Gasket	
16	946173	20	Flange screw	
17		1	Water pipe, oil cooler-rev.gear	See oil cooler for reversing gear, group 26.
18		1	Bracket	
19	865376	1	Bracket	
20	946752	6	Flange screw	
21	965220	3	Flange screw	
22	965188	3	Flange screw	
23	3827441	2	Bracket	
24	965217	2	Flange screw	
25	3826300	1	Tube	
26	864491	9	Gasket	
27	865821	2	Pipe connection	
28	925069	2	O-ring	
29	3819003	2	Water hose	
30	961669	2	Hose clamp	
31	961670	2	Hose clamp	
32	3830257	1	Riser	
33	3832856	1	Coolant pipe	
34	3832830	1	Bracket	
35	945444	4	Flange screw	
36	3832833	1	Coolant pipe, therm. housing	
37	3837473	1	Coolant pipe, circulation pump	
38	946471	2	Flange screw	
39	965183	2	Flange screw	
40	965180	2	Flange screw	
41	3818808	1	Pipe connection	
42	975675	3	O-ring	
43	3884723	1	Overflow valve	(3589220)
44	3809589	1	Adapter	
45	965180	2	Flange screw	
46	3588764	1	Coolant pipe	
47		1	• Coolant pipe	
48		1	• Flange	
49		1	• Flange	
50	942001	4	Hex. socket screw	