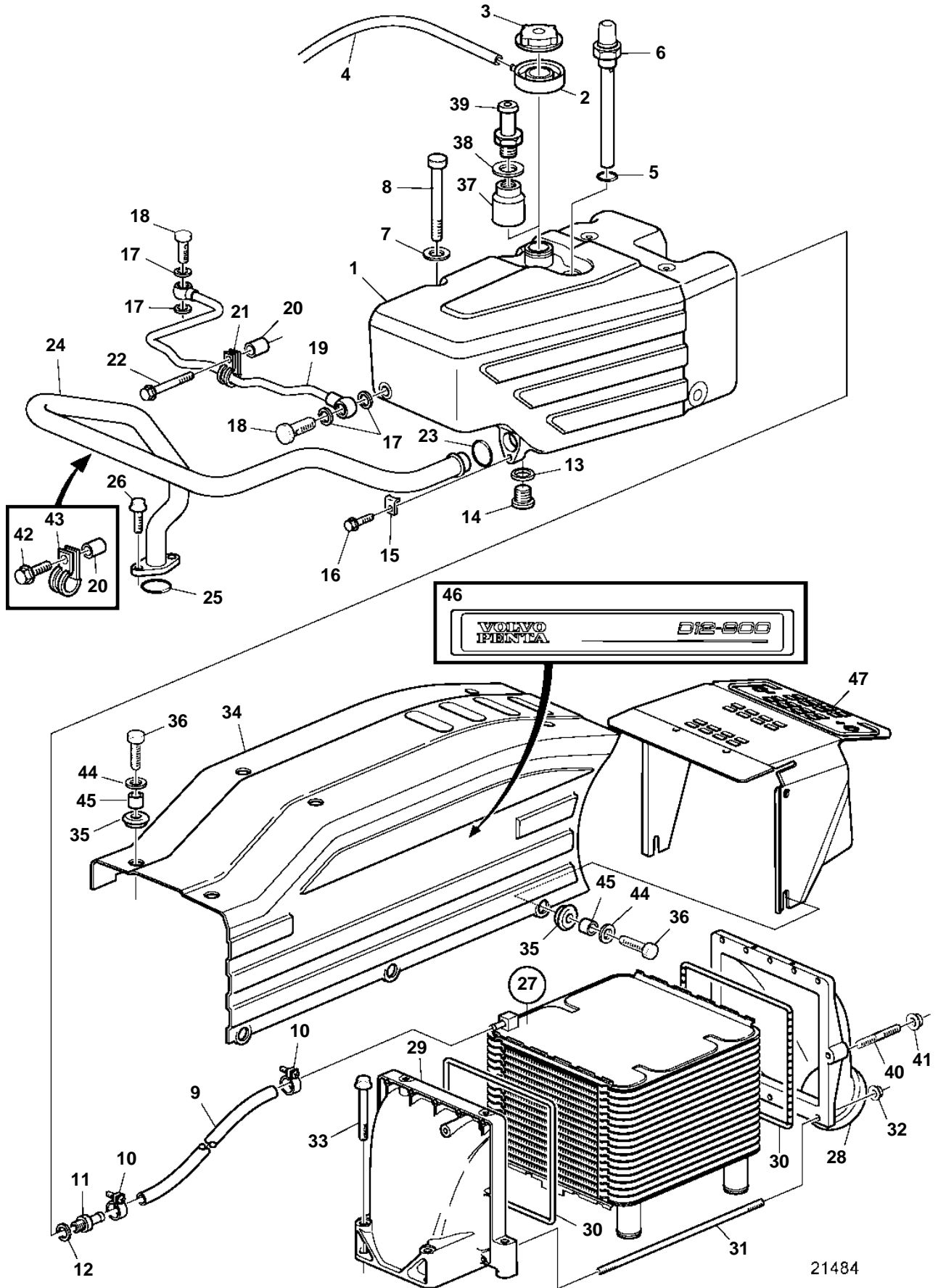


D12D-B MP, D12D-D MP



D12D-B MP, D12D-D MP

REF	PART NO.	QTY	DESCRIPTION	NOTES
1	3886225	1	Expansion tank	
2	3828863	1	Rubber collar	
3	1674083	1	Pressure cap	
4	192618	X	Hose	L=1050mm
5	976932	1	Gasket	
6	3827766	1	Level indicator	
7	941907	4	Spring washer	
8	968999	4	Flange screw	
9	943366	X	Rubber hose	L=300mm
10	961662	2	Hose clamp	
11	947502	1	Hose nipple	
12	947084	1	Gasket	
13	948884	1	Gasket	
14	960632	1	Plug	
15	421654	1	Clamp	
16	946440	1	Flange screw	
17	947084	4	Gasket	
18	969299	2	Hollow screw	
19	3827549	1	Air vent pipe, therm. housing	
20	843075	2	Spacer sleeve	
21	942400	1	Clamp	
22	968999	1	Flange screw	
23	471637	1	Sealing ring	
24	3587289	1	Coolant pipe, circulation pump	
25	862637	1	Gasket	
26	946173	2	Flange screw	
27	3809482	1	Intercooler	
28		1	· Tank	
29		1	· Tank	
30	3812771	2	· Sealing ring	
31	3812619	10	· Stud	
32	949278	10	· Flange lock nut	
33	965188	4	Flange screw	
34	3817729	1	Cover	
35	673989	10	· Grommet	
36	946730	10	Hexagon screw	
37	3826167	1	Adapter	
38	836169	1	Gasket	
39	943268	1	Hose nipple	
40	980336	1	Stud	
41	945408	1	Flange nut	
42	945444	1	Flange screw	
43	947827	1	Clamp	
44	941670	10	Washer	
45	3830336	10	Spacer	
46	3841158	1	Decal	D12-800
	3835918	1	Decal	D12-715
	3830378	1	Decal	D12-675
47	3843412	1	Heat shield	