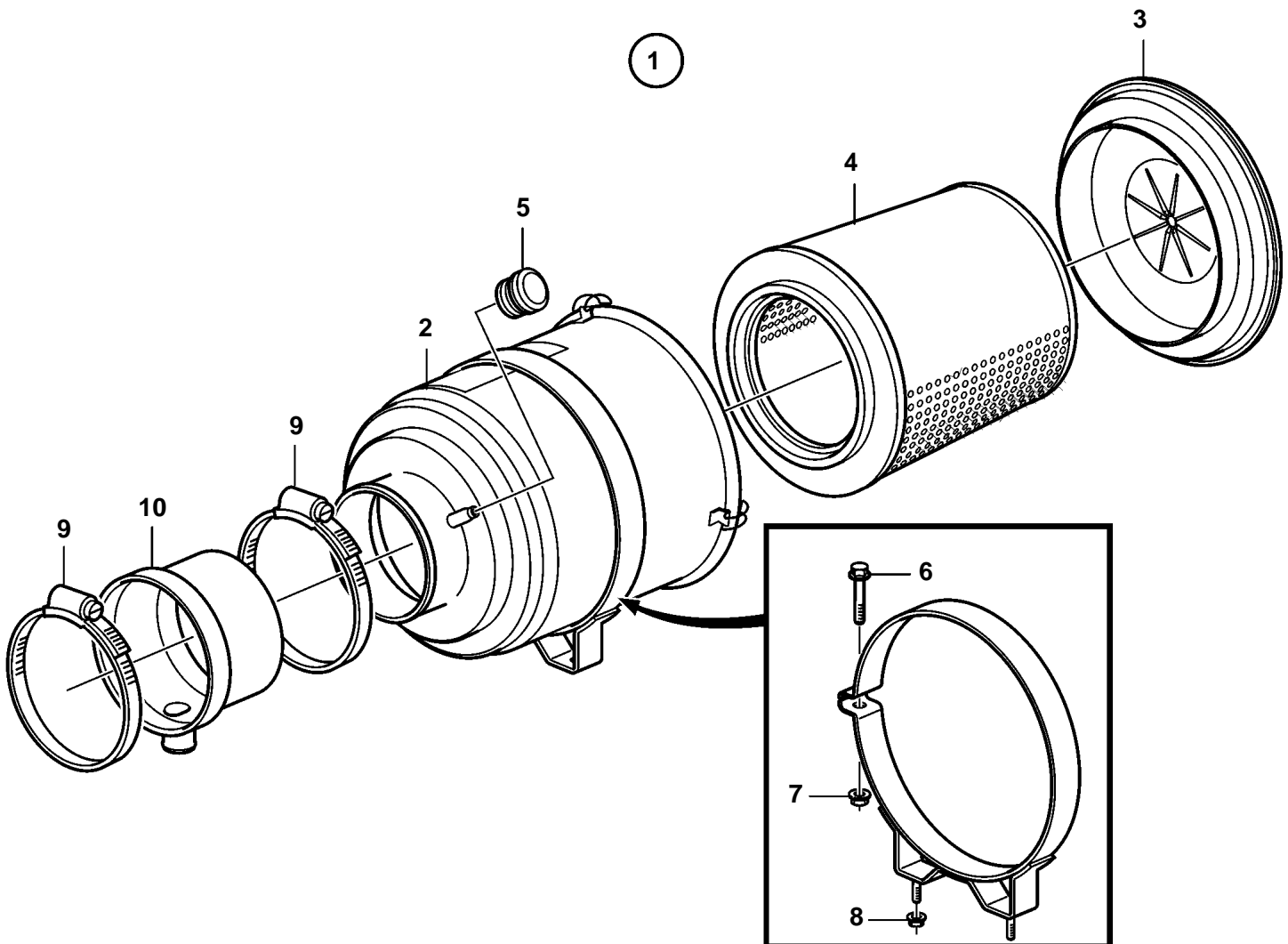


D12D-A MG, D12D-E MG



23219

## D12D-A MG, D12D-E MG

| REF | PART NO. | QTY | DESCRIPTION            |
|-----|----------|-----|------------------------|
| 1   | 3883947  | 1   | Air filter             |
| 2   |          | 1   | · Filter housing       |
| 3   |          | 1   | · Lock                 |
| 4   | 3885441  | 1   | · Air filter insert    |
| 5   | 3828765  | 1   | · Pressure drop indica |
| 6   |          | 1   | · Flange screw         |
| 7   |          | 1   | · Flange nut           |
| 8   | 945408   | 2   | Flange nut             |
| 9   | 961907   | 2   | Hose clamp             |
| 10  | 3588022  | 1   | Rubber collar          |