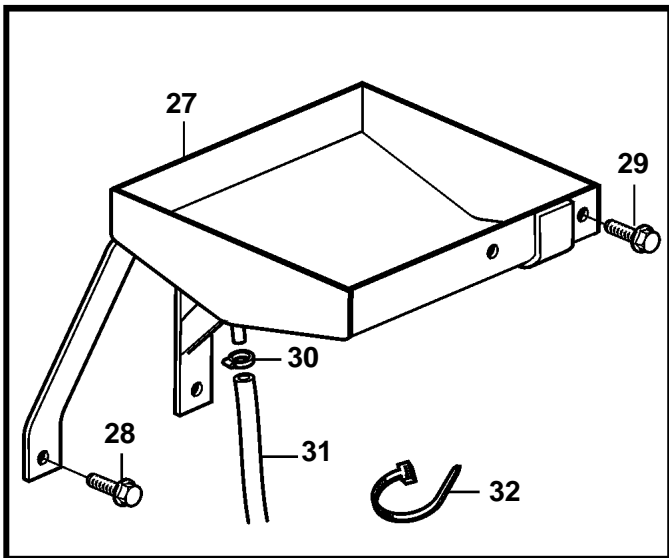
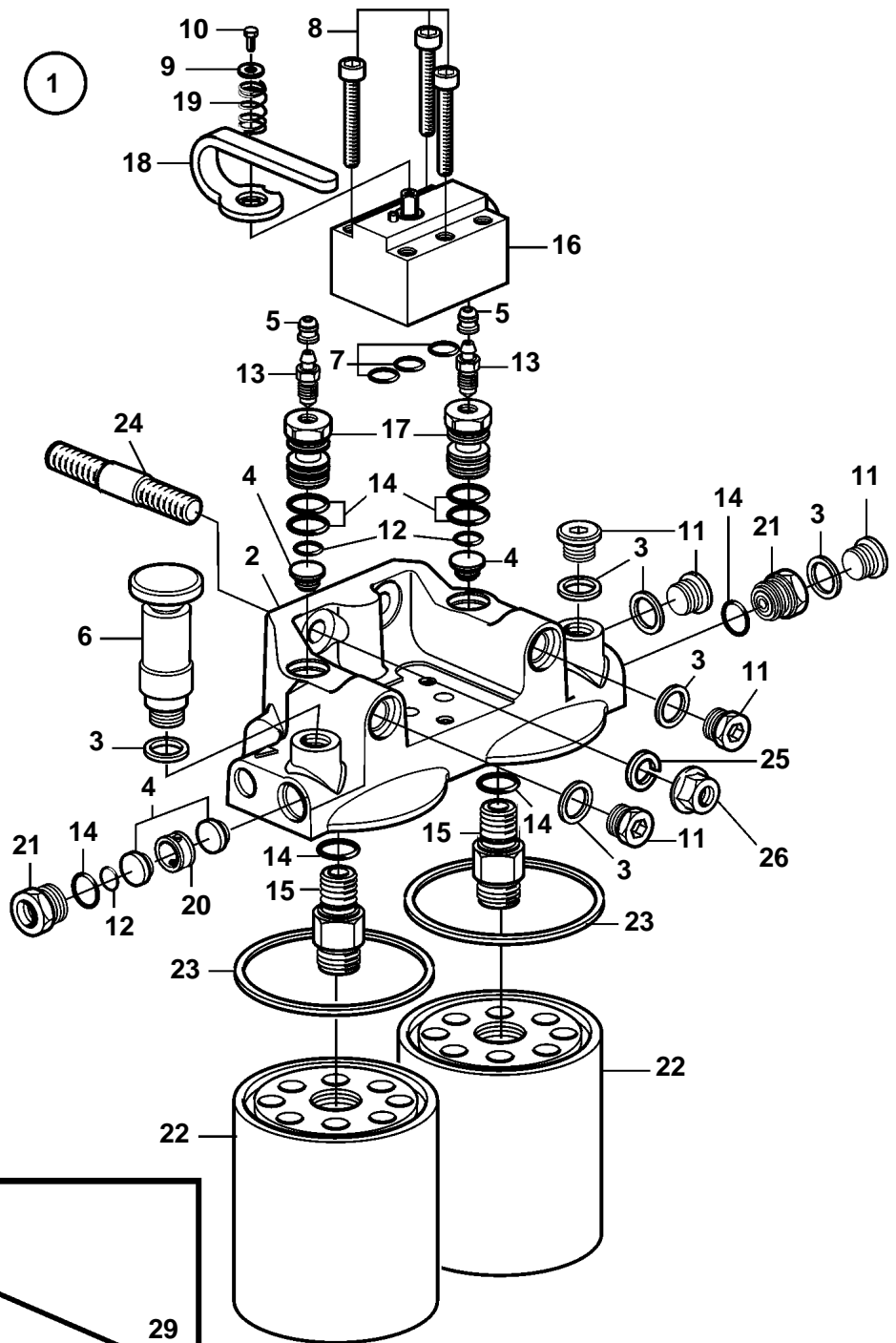


D12D-A MG, D12D-B MG



23709

D12D-A MG, D12D-B MG

REF	PART NO.	QTY	DESCRIPTION	NOTES
1	3889532	1	Fuel filter housing	
2	3889528	1	• Filter housing	
3	20852765	5	• Gasket	
4	244834	4	• Valve	
5	20547976	2	• Protecting cover	
6	3837393	1	• Hand pump	
7	944364	3	• O-ring	
8	959227	3	• Screw	
9	3839116	1	• Cap washer	
10		1	• 6 point socket screw	
11	966143	5	• Plug	
12	976971	3	• O-ring	
13	20548012	2	• Tap	
14	1526474	8	• O-ring	
15	3831210	2	• Nipple	
16	3835369	1	• Valve body	
17	3835370	2	• Nipple	
18	3842870	1	• Handle	
19	3842868	1	• Compression spring	
20	3964717	1	• Spacer sleeve	
21	8148328	2	• Nipple	
22	3888460	2	Fuel filter	
23		2	• Gasket	
24	977297	2	Stud	
25	941908	2	Spring washer	
26	971095	2	Nut	
27	3832639	1	Plate	
28	946440	3	Flange screw	
29	946173	2	Flange screw	For oil drain pump.
30	943472	1	Hose clamp	
31	941995	X	Rubber hose	L=400mm
32	948211	X	Strip clamp	