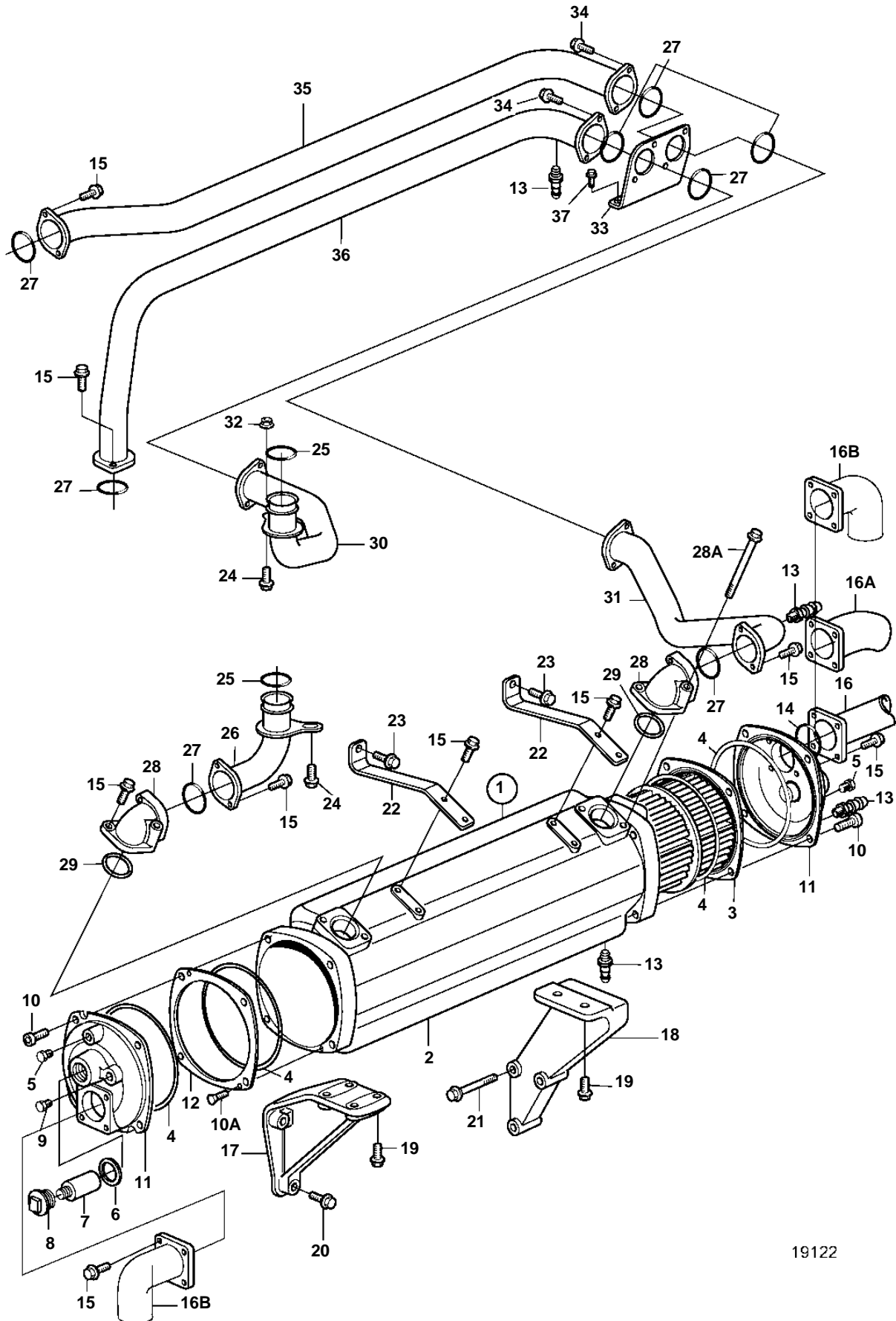


D12D-A MG



19122

D12D-A MG

REF	PART NO.	QTY	DESCRIPTION		NOTES
1		1	Heat exchanger		
2	3830698	1	• Heat exchanger housi		
3	3830696	1	• Heat exchanger eleme		
4	3826783	4	• O-ring		
5	982364	2	• Plug		
6	836169	2	• Gasket		
7	823661	1	• Zinc anod		
8	823662	2	• Plug		
9	982363	1	• Plug		
10	959224	8	• Screw		L=35mm
10A	942001	4	• Screw		L=16mm
11	3830697	2	• End plate		
12	3830694	1	• Spacer		
13	949918	4	Drain cock		
14	843584	1	Sealing ring		
15	946173	18	Flange screw		
16		1	Water pipeoil cooler-rev.gear		See oil cooler for reversing gear, group 26.
16A	3830257	1	Riser, hose connecting		ALT 30°
16B	3830255	X	Riser, hose connecting		ALT 90°
17	865377	1	Bracket		
18	865376	1	Bracket		
19	946752	6	Flange screw		
20	965220	3	Flange screw		
21	965188	3	Screw		
22	3827441	2	Bracket		
23	965217	2	Flange screw		
24	948217	2	Flange screw		
25	1547253	2	Sealing ring		
26	865930	1	Coolant pipe, intercooler		
27	864491	8	Gasket		
28	865821	2	Pipe connection		
28A	965180	2	Flange screw		
29	925069	2	O-ring		
30	3832829	1	Coolant pipe, intercooler		
31	3832856	1	Coolant pipe		
32	948645	1	Lock nut		
33	3832830	1	Bracket	SO	
34	945444	4	Flange screw		
35	3832833	1	Coolant pipe, therm. housing		
36	3837473	1	Coolant pipe, circulation pump		
37	946471	2	Screw		