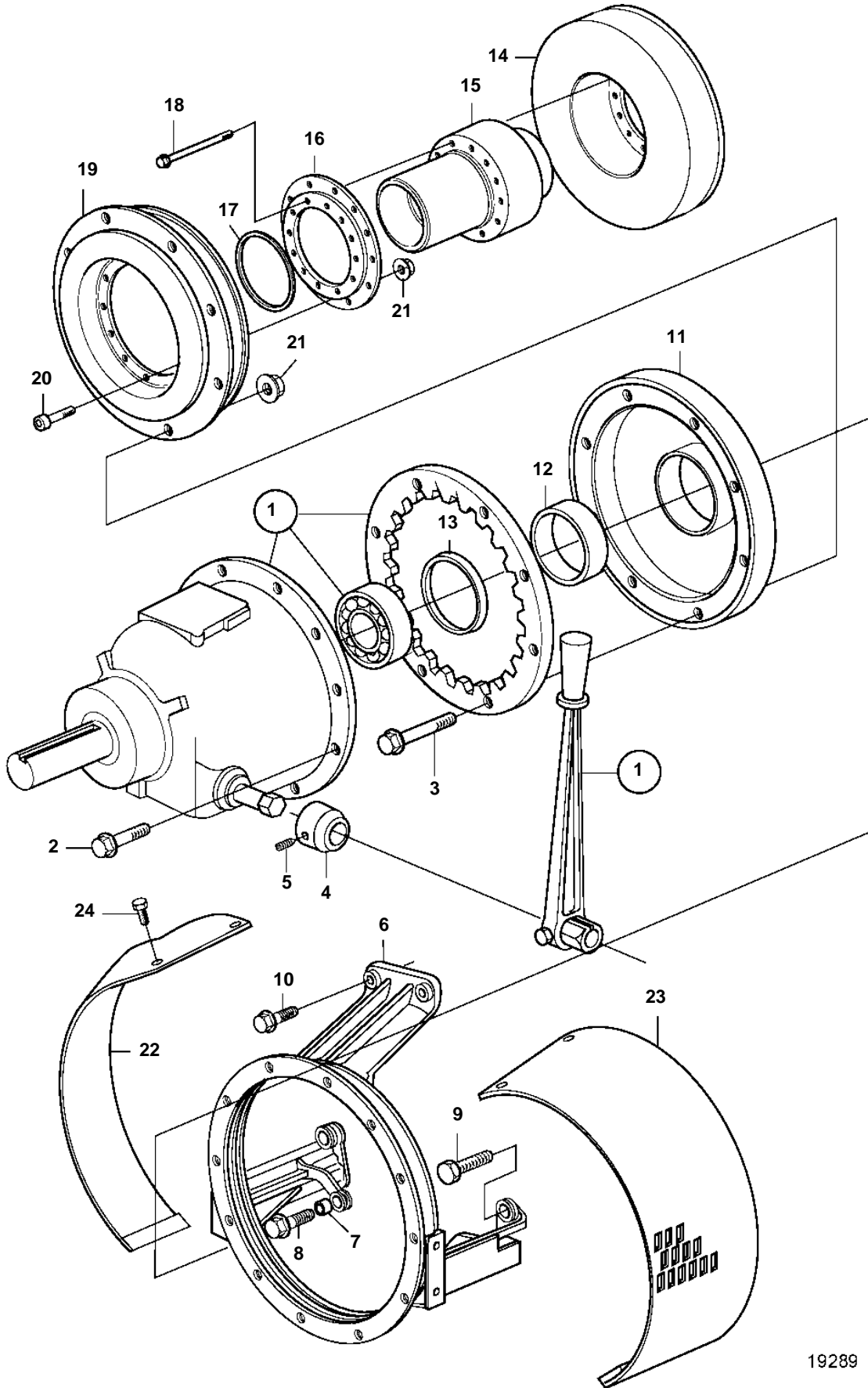


D12D-A MG



19289

## D12D-A MG

REF	PART NO.	QTY	DESCRIPTION		SEE SEC.	NOTES
1	845705	1	Clutch, straight stub shaft	SO		SP 211 HP3
					2446	
2	946329	12	Flange screw			
3	968237	8	Flange screw			
4	803612	2	Stop ring			
5	946847	4	Screw			
6	3826646	1	Bell housing			
7	977799	2	Spacer sleeve	SO		
8	965185	2	Flange screw			
9	968902	4	Flange screw	SO		
10	965220	2	Flange screw			
11	3825588	1	Companion flange	SO		
12	863602	1	Bearing bushing			
13	965872	2	Sealing ring			
14	8193930	2	Vibration damper			
15	3825589	1	Shaft			
16	3825587	1	Spacer			
17	965872	1	Sealing ring			
18	963261	10	Hexagon screw	SO		
19	3825593	1	Clutch			
20	959236	16	Screw			
21	971098	24	Flange lock nut			
22	3832352	1	Protecting plate	SO		SB
23	3832353	1	Protecting plate	SO		P
24	967949	8	Screw			