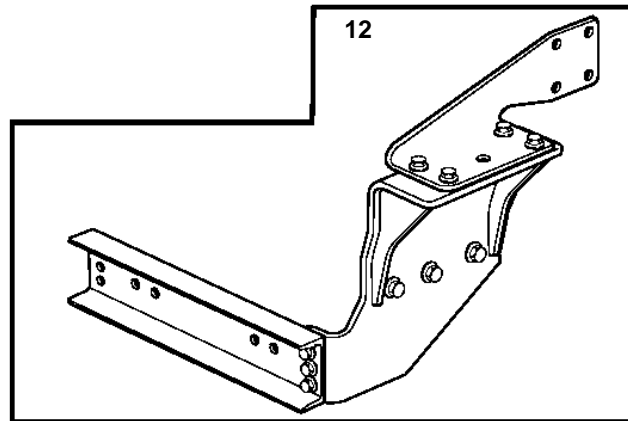
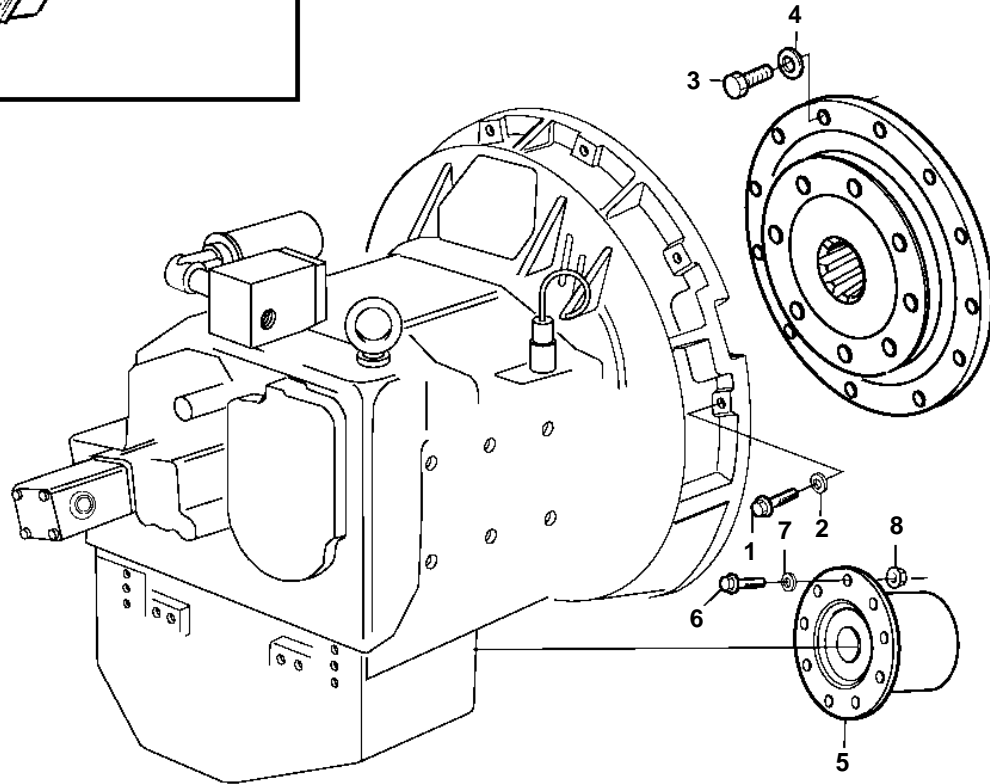
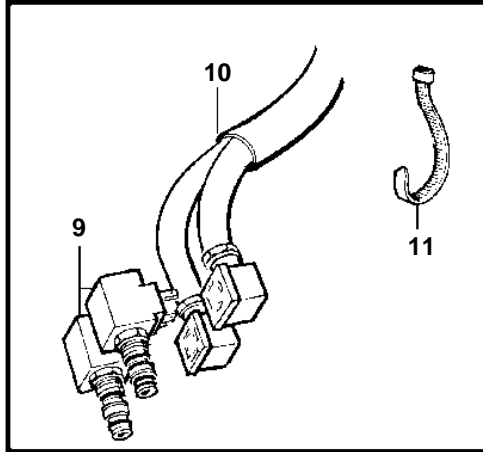


D12C-A MP, D12D-B MP



D12C-A MP, D12D-B MP

REF	PART NO.	QTY	DESCRIPTION	SEE SEC.	NOTES
1	965185	12	Flange screw		
2	941908	12	Spring washer		
3	965194	8	Screw		
4	940280	8	Spring washer		
5	864087	1	Clutch flange		Pre-drilled 30 mm. Max shaft 80 mm.
6	980253	10	Screw		
7	941913	10	Spring washer		
8	943674	10	Lock nut		
9	3831157	2	Solenoid		24V
10	3808581	1	Wiring harness		(874619)
11	948211	X	Strip clamp		
12		2	Engine suspension	4273	