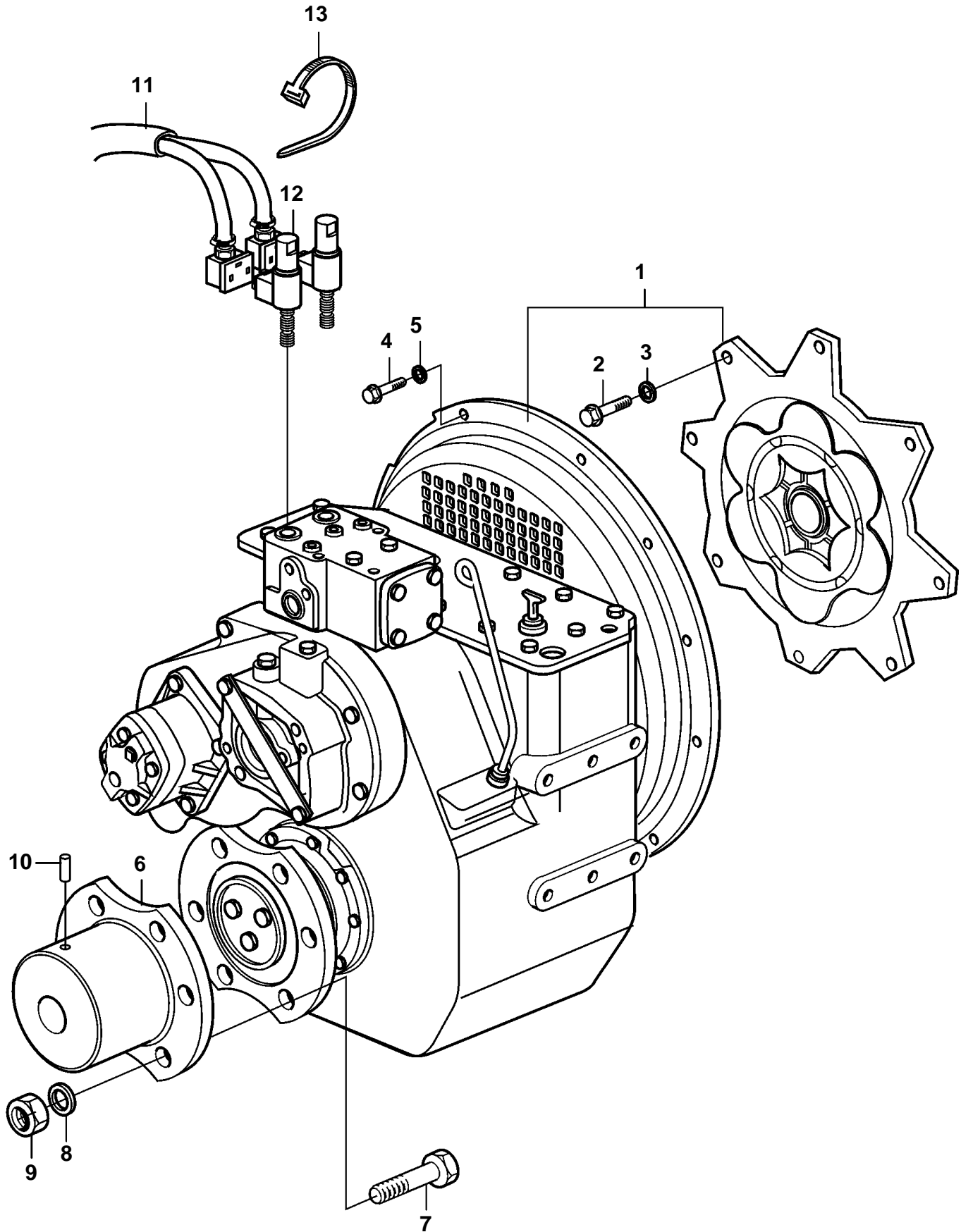


D12C-A MP, D12D-A MP, D12D-A MH, D12D-B MH



D12C-A MP, D12D-A MP, D12D-A MH, D12D-B MH

REF	PART NO.	QTY	DESCRIPTION	NOTES
1		1		RATIO 2.04:1
		1		RATIO 2.54:1
		1	Reversing gear	RATIO 3.00:1
2	965226	8	Flange screw	
3	940280	8	Spring washer	
4	965185	12	Flange screw	
5	941908	12	Spring washer	
6	837093	1	Companion flange	
7	955764	8	Screw	
8		8	Washer	
9	950380	8	Lock nut	
10		2	Pin	
11	3819944	1	Wiring harness	(874619)
12	3587981	2	Solenoid kit	
13	948211	X	Strip clamp	