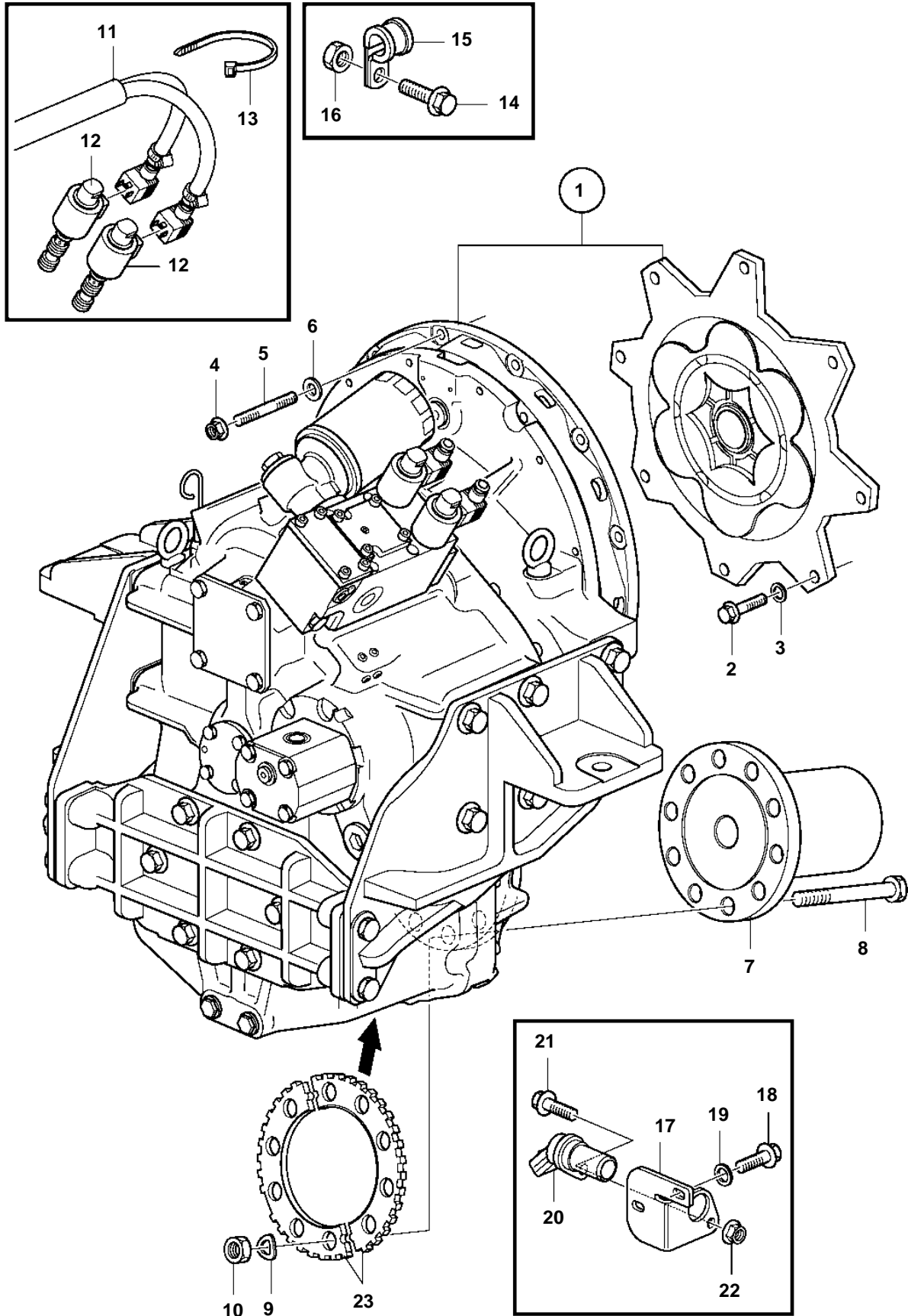


D11A-A



D11A-A

REF	PART NO.	QTY	DESCRIPTION	SEE SEC.	NOTES
1		1	Reversing gear		RATIO 1.48:1
		1	Reversing gear		RATIO 1.73:1
		1	Reversing gear		RATIO 2.03:1
2	970954	8	Hexagon screw		
3	976945	8	Washer		
4	965185	12	Flange screw		
5	479972	12	Stud		
6	942336	12	Spring washer		
7	864087	1	Clutch flange		
8	980253	10	Hexagon screw		
9	941913	10	Spring washer		
10	943674	10	Lock nut		
11	3594238	1	Wiring harness		
12	3831157	2	Solenoid		
13	948211	X	Cable tie		
14	946544	2	Flange screw		
15	952632	1	Clamp		
16	949278	1	Flange lock nut		
17	3841424	1	Bracket		
18	967949	2	Flange screw		
19	949607	2	Spring washer		
20		1	Tachometer sensor	22014	
21	946544	1	Flange screw		
22	949278	1	Flange lock nut		
23	3841413	2	Sprocket wheel		